



COMPANY PROFILE

The Knorr Bremse Group, Headquartered in Munich, Germany, is the world's leading manufacturer of braking systems for rail and commercial vehicles with Annual Turnover of 5.68 Billion Euro equivalent to ₹40,896 Crores.

For more than 100 years the company has pioneered the development, production and marketing of state-of-the-art- braking systems. Other lines of business include Automatic Door System-Rail Vehicle, Air Conditioning System-Rail Vehicle, and Torsional Vibration Dampers for internal combustion engines and Engine Air Systems.

Knorr-Bremse is represented across the globe, with over 100 production sites in 30 countries. Locally-based, highly qualified more than 24,000 employees who speak the local languages and are familiar with the respective cultural conventions and national product requirements ensure that Knorr-Bremse maintains the necessary proximity to its markets and customers.

Knorr-Bremse Systems for Commercial Vehicles India Pvt Ltd. (KBI CVS) a 100% Subsidiary of Knorr-Bremse AG, Germany incorporated in February 2003 and started commercial operations in August 2005 in their modern facility at Hinjewadi, Pune about 150kms south east of Mumbai.

The manufacturing process ensures 100% testing of all products on world class end of line testing equipment. Knorr- Bremse incorporated several Poka- Yoke's to ensure error proofing during assembly and manufacture.

The company's Quality Management Systems are certified for IATF 16949:2016 KBI CVS also has full-fledged Product testing and Validation facility for in-house testing for product reliability and application engineering.

Knorr-Bremse operates its Rail Division from Faridabad and Advanced Technical Centre India from Pune serving globally in the field of research and development for Commercial Vehicles and Trains.

Knorr-Bremse is serving India's Leading Vehicle and Engine manufacturers Tata Motors, Ashok Leyland, Bharat Benz, Mahindra Trucks and Buses, Volvo-Eicher India, MAN Trucks and Buses and Tata Cummins Engine since the company's inception.

Knorr Bremse has strong After Market Sales and Service Network across the country with 106 Authorised Distributors and 123 Authorised Service Centre to ensure the safety and reliability of the vehicle and maintain high level of braking efficiency throughout the country.



Dear Business Associates,

Indian automotive has transformed from Cyclic, to Volatile, to a dynamic and unpredictable market environment. The upcoming era will as well pose challenges, but still full of opportunities, especially with continued technological changes impacting the market & resulting in significant change in consumer behavior. The implementation of new economic policies by government may also add some uncertainty but we understand the long term positive impact which will support the growth.

With these we had our learnings, to manage, to anticipate customer needs, by leveraging our strong processes and building competitive Product Portfolio and Network. With the upgraded Product Portfolio and additional Business Engagements shall represent a huge way forward towards our success.

We are optimistic about future but with constructive upgrades & your unstinted support, we as team Knorr-Bremse India will continue to grow. We are and will remain committed to all our Distributors, Retailers and End customers for SUSTAINABLE and PROFITABLE growth. Our continual community engagement to serve, millions of our countrymen through the Vehicle fleets, Vehicle owners, Drivers and their Service providers.

With these we strive to provide systems with SAFE, CLEAN & BEST TECHNOLOGICAL SOLUTIONS with a purpose of environment as our endeavor to ensure availability of not better but the best tomorrow!!!

MR. ARUN BISHT

HEAD- SALES & MARKETING

KNORR-BREMSE SYSTEMS FOR COMMERCIAL VEHICLE INDIA PVT. LTD.

INDEX

Sr.NO.	NAME	PAGE NO.
1	PRODUCT REVIEW	4
2	PART LIST	36
3	APPLICATION CHART (TATA MOTORS)	46
4	APPLICATION CHART (ASHOK LEYLAND)	49
5	APPLICATION CHART (BHARATBENZ)	50
6	APPLICATION CHART (MAHINDRA T & B)	52
7	MAINTENANCE SCHEDULE	53
8	TROUBLE SHOOTING	58
9	DISTRIBUTORS DETAILS	66
10	AUTHORISED SERVICE CENTRE DETAILS	71



AIR COMPRESSOR (COMP.)

PRODUCT FUNCTION

The Air Compressor is used to generate compressed air and deliver to air reservoir. The compressed air is used in vehicle braking and auxiliary functions.

PRODUCT FEATURES

- Rigid Mono-block Design
- Inter cooled Valve Plate
- High Performance
- Low Power Consumption
- Low Oil Carry Over
- Ess System- Low Fuel Consumption
- Optional Ports For Coolant Supply And Delivery
- Optional Port For Air Delivery
- Compressor With Steering Pump Drive Provision

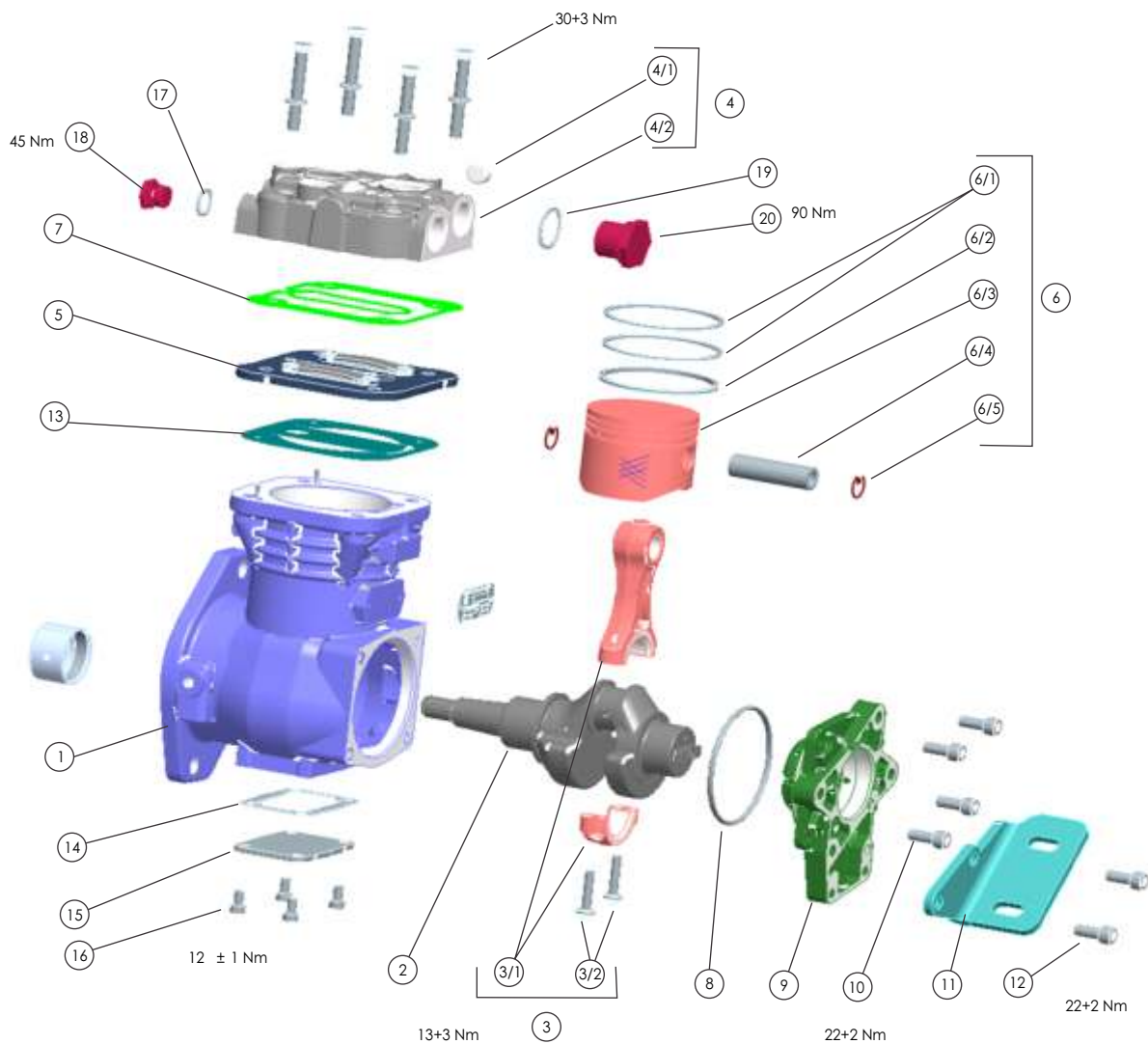
INSTALLATION LOCATION:

Engine



PART LIST:

PART DESCRIPTION	KB PART NO.	AM PART NO.
AIR COMPRESSOR (N4) 225CC	K050139	B13AL1005010
AIR COMPRESSOR 360CC WITH ESS	K031860	B13AL100711
AIR COMPRESSOR 360CC WITH ESS	K067196N17	B13VE1009653
AIR COMPRESSOR 360CC WITH ESS	K051379N07	B13VE1000929
AIR COMPRESSOR 225CC	K071830	B13VE1005010
AIR COMPRESSOR 225CC	K071827	B30TM1001827
AIR COMPRESSOR 225CC	K071842	B30TM1006001



REPAIR KITS

SYMBOL	DESCRIPTION	PART NO.
▲	Piston Assembly Dia 78 MM (ALL-225cc)	K053487
	Piston Assembly Dia 92 MM (ALL-360cc)	SEB22530
	Piston Assembly Dia 80MM (TML 6BT-225cc)	K098582
●	Gasket Kit Dia 78 MM (ALL-225cc)	K053488
	Gasket Kit Dia 92MM (ALL-360cc)	SEB22532
	Gasket Kit Dia 80 MM (TML 6BT-225cc)	K098583
★	Cylinder Head Kit Dia 78 MM (ALL-225cc)	K020984
	Cylinder Head Kit Dia 92 MM (ALL-360cc)	SEB01894004
	Cylinder Head Kit Dia 80 MM (TML 6BT-225cc)	K098584
■	Valve Plate Kit Dia 78 MM (ALL-225cc)	K020985
	Valve Plate Kit Dia 92 MM (ALL-360cc)	Y004552004
	Valve Plate Kit Dia 80 MM (TML 6BT-225cc)	K098585

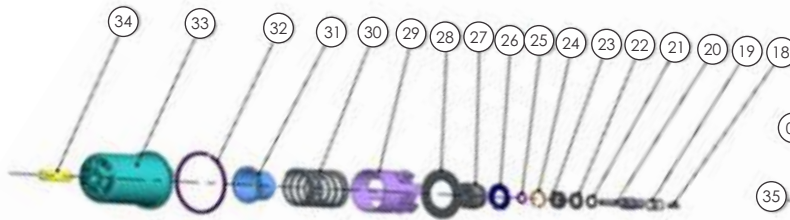
CHILD PART LIST

EXPLODED SR. NO.	SYMBOL	DESCRIPTION	QTY.
1		Crankcase sub assembly	1
2		Crankshaft	1
3		Valve Rod	1
4	★	Head Cylinder	1
5	■ ●	Valve Reed	1
6	▲	PISTON ASM	1
7		Cylinder head gasket	1
8		O-ring-Pump support	1
9		Pump support	2
10		Allen Bolt M6*12	1
11		Support Bracket	1
12		Allen Bolt M6*12	4
13	●	Inlet Reeds	1
14	●	Crankcase Gasket	3
15		Bottom cover	1
16		Allen Bolt M8*20	3
17		Washer	1
18		Plug M16	1
19		Washer	1
20		Plug M16	1
21		Head Screw	1

AIR DRYER (AD)

PRODUCT FUNCTION

Air Dryer functions to clean and remove the moisture from the compressed air. In addition it is used to control the operating pressure in an air system and prevent dirt from reaching valves and hoses. It also removes air system contaminants in solid, Liquid and vapour form before they enter the brake system. The unit also provides facility for inflating tyre tube when necessary.



PRODUCT FEATURES

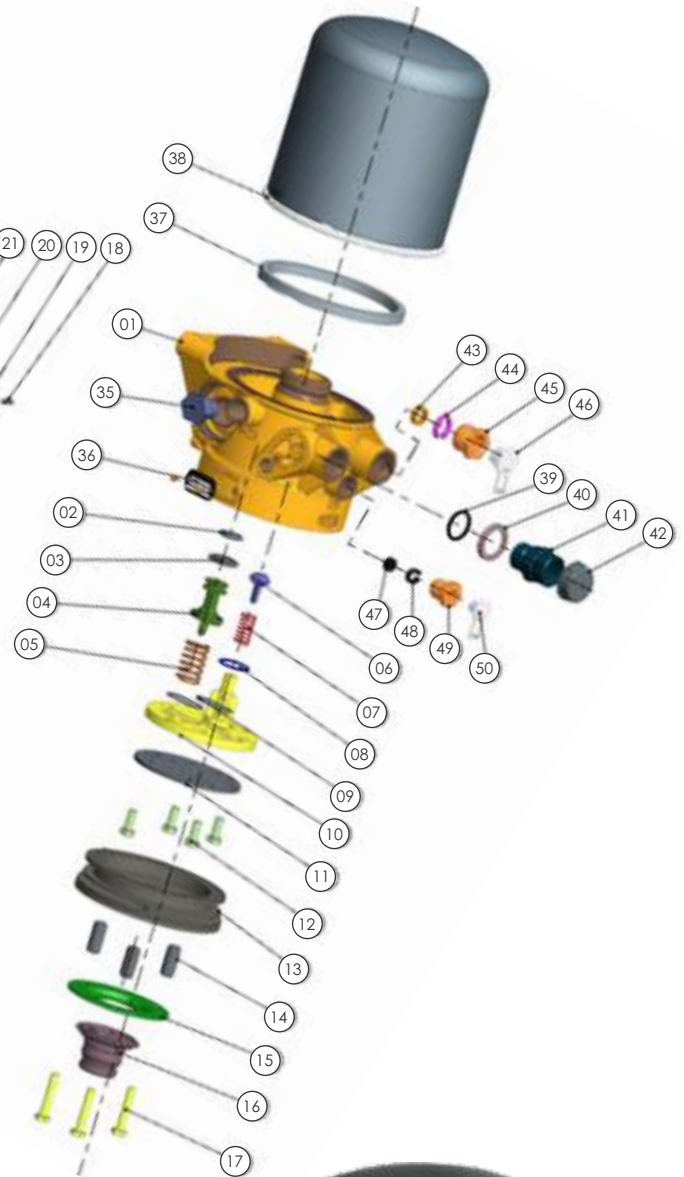
- Lubricant films in the pneumatic units are maintained
- Integrated unloader valve, easy adjustable
- Easy cartridge replacement provides a short service time
- No in-line filters required
- Suitable for all current and future applications
- A tyre inflator will be integrated
- Integrated silencer

INSTALLATION LOCATION:

Chassis

PART LIST:

PART DESCRIPTION	KB PART NO.	AM PART NO.
AIR DRYER	K014963	B13TM1000169
AIR DRYER	K015634	B13TM1000169
AIR DRYER	K035983	B13TM1000143
AIR DRYER	K028053	B13TM1000151ADV
AIR DRYER WITH OSC	K095813	B13TM0700118
AIR DRYER WITH OSC	K095811	B13TM0700165
AIR DRYER	K045335	B13TM1000141
AIR DRYER	K023915	B13AL1004200
AIR DRYER	K023913	B13AL1007400
AIR DRYER	K045180	B13DI1000115



CHILD PART LIST

EXPLODED SR. NO.	SYMBOL	DESCRIPTION	QTY.	EXPLODED SR. NO.	SYMBOL	DESCRIPTION	QTY.
1	■	Body	1	26	★ ▲	Piston	1
2	■ ● ▲	O-Ring	1	27	★ ▲	Diaphragm	1
3	■ ●	Valve Sealing Disc	1	28	★ ▲	Spring Bush	1
4		Piston	1	29	★ ▲	Spring	1
5		Compression Spring	1	30	★ ▲	Spring Retainer	1
6	●	Valve Cone	1	31	★ ▲	Circlip	1
7	●	Compression Spring	1	32	★ ▲	Spring Body	1
8	● ▲	O-Ring	1	33	★ ▲	Set Screw	1
9	● ▲	O-Ring	2	34		Plug	1
10		End Plate	1	35		Name Plate	1
11		Pressure Plate	1	36		O-Ring	1
12		Hexagon Screw	4	37	@	Dissicant Cartridge	1
13		Silencer	1	38		O-Ring	1
14		Bushing	3	39		Washer	1
15		Hose Union	1	40		Adaptor	1
16		Hexagon Screw	3	41		Cap	1
17	●	Compression Spring	1	42	●	Spring Element	1
18	●	Compression Spring	1	43	●	Cramp	1
19	■	Tappet	1	44		CAP Screw	1
20	● ▲	O-Ring	1	45		Thread Protector	1
21	●	Washer	1	46	●	Spring Element	1
22	●	Liner	1	47	●	Cramp	1
23	●	Retaining Ring	1	48		CAP Screw	1
24	● ★ ▲	O-Ring	1	49		Thread Protector	1
25	● ★ ▲	Knorr K Ring	1	50	● ▲	Lubricant	0.0015

REPAIR KITS

SYMBOL	DESCRIPTION	PART NO.	AM PART NO.
▲	These components are parts of Major kit for Air Dryer	2K000065	B12TM1000065
●	These components are parts of Minor kit for Air Dryer	2K0001130	B12TM1001130
★	These components are parts for Unloader valve kit	2K0001120	B12TM1001120
■	Air dryer spare kit (Tapet & Piston)	K067157	B12TM1007157

CARTRIDGE

SYMBOL	DESCRIPTION	KB PART NO.	AM PART NO.
@	AIR DRYER CARTRIDGE	K010414N50	B16TM1000414
	AIR DRYER CARTRIDGE FOR MNAL 10 BAR	II17793	B16MN1000793
	AIR DRYER CARTRIDGE OSC	K039454	B16TM1000454

FOUR CIRCUIT PROTECTION VALVE (FCPV)

PRODUCT FUNCTION

The four circuit protection valve is used in multi-circuit braking systems to protect the multi circuit braking systems to protect the pressure in any intact circuit in case of failure in any other circuit.

PRODUCT FEATURES

- Unique to each system
- Operating pressure up to 12 bar
- Various pressure settings
- Operating temperature range - 40°C to 80°C
- Ease of Installation
- High Efficiency

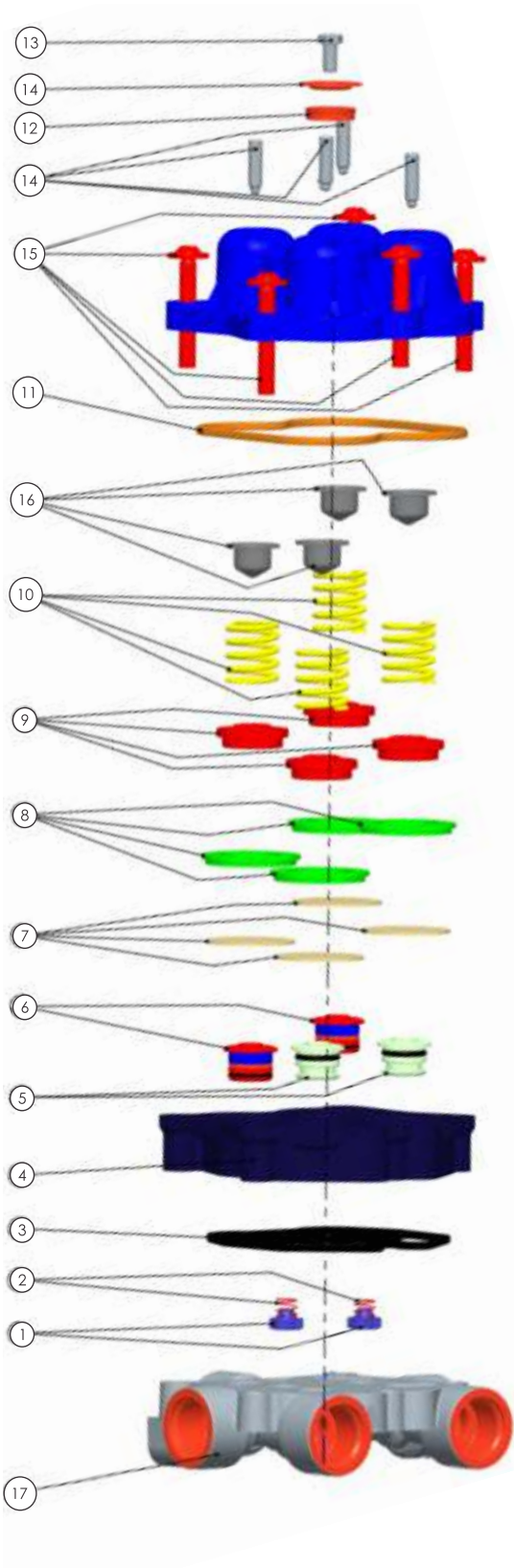
INSTALLATION LOCATION:

Chassis



PART LIST:

PART DESCRIPTION	KB PART NO.	AM PART NO.
FOUR CIRCUIT PROTECTION VALVE - V	FCPVP06001	B13TM1000155
FOUR CIRCUIT PROTECTION VALVE	FCPVP06002	B13TM1000156
FOUR CIRCUIT PROTECTION VALVE	FCPVP10004	B13TM1000187
FOUR CIRCUIT PROTECTION VALVE	FCPVP08006	B13TM1000142
FOUR CIRCUIT PROTECTION VALVE VOSS	K128857	B13TM1000161
FOUR CIRCUIT PROTECTION VALVE	K000669	B13AL1004400
FOUR CIRCUIT PROTECTION VALVE	K026509	B13AL1005200
FOUR CIRCUIT PROTECTION VALVE-EG FUNCTION	K095595I	B13AL1001200
FOUR CIRCUIT PROTECTION VALVE	K045181	B13DI1000406
FOUR CIRCUIT PROTECTION VALVE-EG FUNCTION	K097772	B13DI1002306
FOUR CIRCUIT PROTECTION VALVE-EG FUNCTION	K103397	B13DI1002706
FOUR CIRCUIT PROTECTION VALVE	K098451	B13DI1000409



CHILD PART LIST

EXPLODED SR. NO.	SYMBOL	DESCRIPTION	QTY.
1	● ▲	Valve Head	2
2	● ▲	Spring Helical Compression	2
3	● ▲	Sealing Element	1
4	▲	Valve Body	1
5	▲	O-Ring	2
6	▲	O-Ring	2
7	● ▲	Diaphragm	4
8		Ring	4
9	● ▲	Diaphragm Plate	4
10		Spring Helical Compression	4
11	● ▲	Gasket	1
12		Grooved Ring	1
13		Hex Screw	1
14		Cover	1
15		Thread Forming Screw	5
16		Spring Support	4
17		Body - Machined	1
18	▲	Ring	2
19	● ▲	Lubricant	0.015
20	▲	Valve Insertnipple	2
21	▲	Valve Insertnipple	2

REPAIR KITS

SYMBOL	DESCRIPTION	PART NO.	AM PART NO.
▲	These components are parts of major kit for Four Circuit Protection Valve	2K000062	B12TM1000062
●	These components are parts of major kit for Four Circuit Protection Valve	2K000063	B12TM1000063

HAND BRAKE VALVE (HBV)

PRODUCT FUNCTION

The Hand Brake Valve is used for parking brake application and graduated brake application during service brake failure.

PRODUCT FEATURES

- Working temperature range : -40°C to 80°C
- Flexible mounting position
- Large flow area for fast actuation & release
- Auto spring return to ensure extreme return position to avoid partial release
- Easy Installation

INSTALLATION LOCATION:

Driver Cabin

PART LIST:

PART DESCRIPTION	KB PART NO.	AM PART NO.
HAND BRAKE VALVE	K047481	B13TM1000149
HAND BRAKE VALVE V Ver 1	HBVP06001	B13TM1000151
HAND BRAKE VALVE - V	HBVP06002	B13TM1000152
HAND BRAKE VALVE - M/V	K051582	B13TM1000153
HAND BRAKE VALVE - V	HBVP06004	B13TM1000154
HAND BRAKE VALVE	K091783	B13TM1000187
HAND BRAKE VALVE	K023651	B13AL1004800
HAND BRAKE VALVE	K045183	B13DI1000506
HAND BRAKE VALVE	K111580	B13DI1004306
HAND BRAKE VALVE	K107715	B13DI1004606
HAND BRAKE VALVE DPM 90	HBVP07009XBT (DPM 90)	B13TM1000102HBV
HAND BRAKE VALVE DPM 90 WITH TRAILOR CHECK	HBVP07008XBT (DPM 90)	B13TM1000120

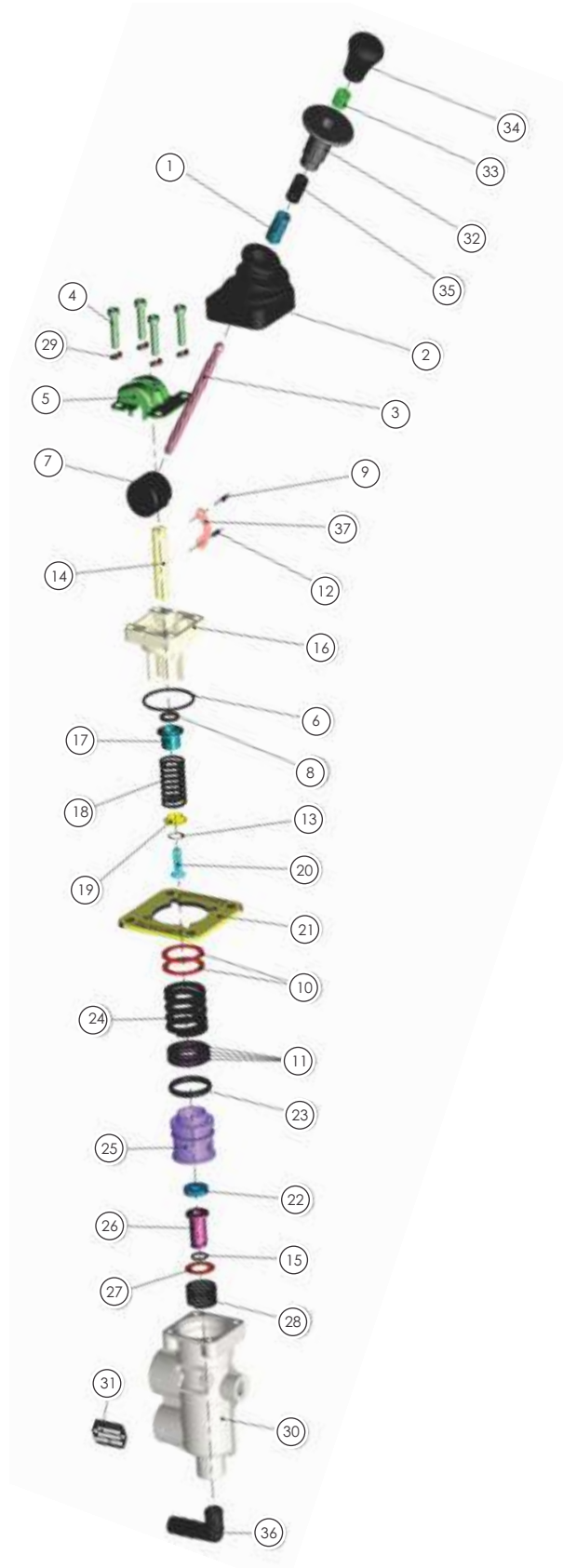


CHILD PART LIST

EXPLODED SR. NO.	SYMBOL	DESCRIPTION	QTY.
1	▲	Bush	1
2	● ▲	Dust Cover	1
3	▲	Switch Rod	1
4		Machine Screw	4
5		Link	1
6	● ▲	O-Ring	1
7		Switch Shoe	1
8	● ▲	O-Ring	1
9		Drive	2
10	● ▲	Washer	6
11	● ▲	Washer	1
12		Drive	1
13	● ▲	Circlip	1
14		Piston Rod	1
15		O-Ring	1
16		Intermediate Housing	1
17		Guide	1
18		Spring	1
19		Spring Retainer	1
20		Seat_Valve	1
21		Flange	1
22	● ▲	Valve Ring	1
23	● ▲	O-Ring	1
24		Spring	1
25	▲	Piston	1
26		Valve Head	1
27		Washer	1
28		Spring	1
29	● ▲	Washer_Lock Helical Spring	4
30		Body	1
31		Name Plate	1
32	▲	Release Unit	1
33	▲	Bushing	1
34	▲	Handle	1
35	▲	Spring	1
36		Hose Connection	1
37	● ▲	Lubricant	0.015

REPAIR KITS

SYMBOL	DESCRIPTION	PART NO.	AM PART NO.
▲	These components are parts of Major kit for Hand Brake Valve	2K000060	B12TM1000060
●	These components are parts of Minor kit for Hand Brake Valve	2K000061	B12TM1000061



FOOT BRAKE VALVE (FBV)

PRODUCT FUNCTION

The Foot brake valve is used to provide graduated control of braking pressure in the brake chambers.

PRODUCT FEATURES

- Operation pressure: 10 bar
- Working temperature range : -40°C to 80°C
- Integrated silencer
- Monoblock and split variants in housing
- High Efficiency

INSTALLATION LOCATION:

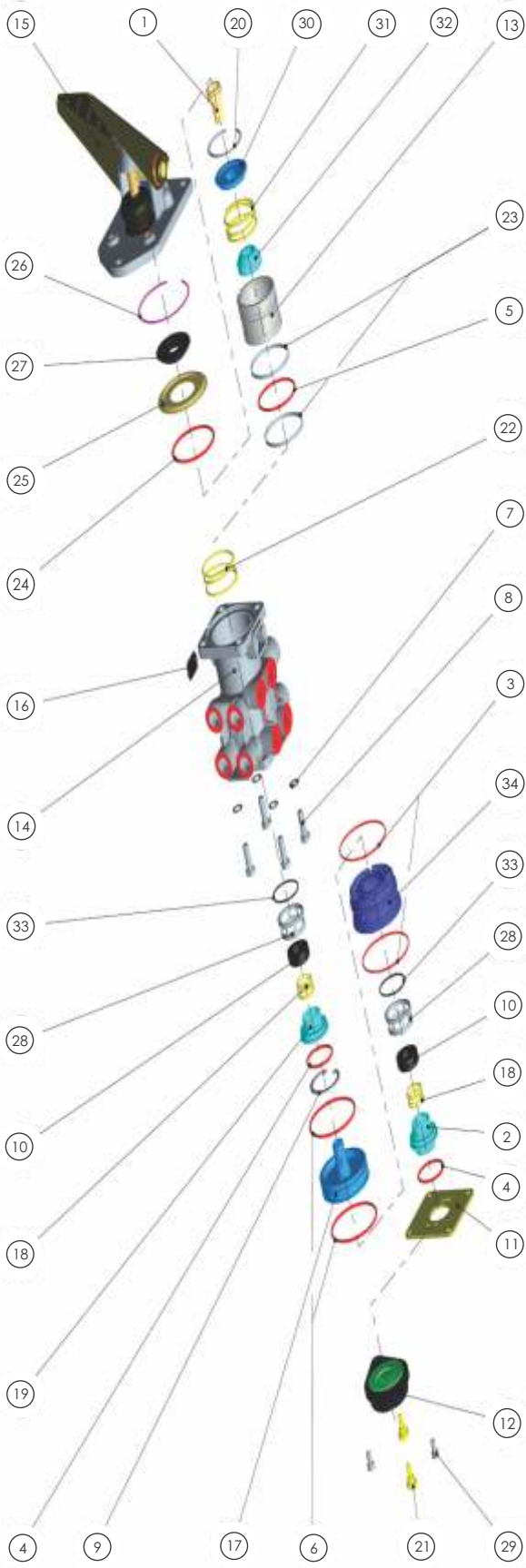
Driver Cabin



PART LIST:

PART DESCRIPTION	KB PART NO.	AM PART NO.
FOOT BRAKE VALVE WITH PEDAL V	K002829	B13TM1000163
FOOT BRAKE VALVE PUSH ROD -V	K058280	B13TM1000116
FOOT BRAKE VALVE WITH PEDAL (Split)	K077659 (Split)	B13TM1000111
FOOT BRAKE VALVE WITH PEDAL (Mono)	K077659/IN	
FOOT BRAKE VALVE - V	K051186	B13TM1051186
FOOT BRAKE VALVE - V WITH SWITCHES ALL	K023828	B13AL1004700
FOOT BRAKE VALVE WITH PEDAL V	K099761	B13DI1000401
FOOT BRAKE VALVE WITH PEDAL V	K045182	B13DI1000105
FOOT BRAKE VALVE WITH PEDAL V	K067061	B13DI1000306
FOOT BRAKE VALVE WITH PEDAL V	K111647	B13DI1000205
FOOT BRAKE VALVE PUSH ROD -V	K046199	B13MN1000230

CHILD PART LIST



EXPLODED SR. NO.	SYMBOL	DESCRIPTION	QTY.
1		Rod Push	1
2		Guide Valve	1
3	● ▲	O-Ring	2
4	● ▲	O-Ring	2
5	● ▲	O-Ring	1
6	● ▲	O-Ring	2
7		Washer	4
8		Screw_Hex	4
9	● ▲	Circlip	1
10	● ▲	Valve	2
11		Cover	1
12		Silencer	1
13	▲	Piston /Pin Asm	1
14		Body	1
15		Pedal	1
16		Name Plate	1
17	▲	Piston	1
18		Spring	2
19		Guide_Valve	1
20		Snap Ring	1
21		Screw	2
22		Spring_Helical Compression	1
23	● ▲	Ring_Piston	2
24	● ▲	O-Ring	1
25		Spring Cup	1
26		Ring_Retaining	1
27	● ▲	Gasket	1
28	● ▲	Filter	2
29		Screw	2
30	▲	Guide_Spring	1
31		Spring	1
32	● ▲	Rubber Spring	1
33	● ▲	O-Ring	2
34		Seat_Valve	1
35	● ▲	Grease	0.003

REPAIR KITS

SYMBOL	DESCRIPTION	PART NO.	AM PART NO.
▲	These components are parts of Major kit for Hand Brake Valve	2K000058	B12TM1000058
●	These components are parts of Minor kit for Foot Brake Valve	2K000059	B12TM1000059

RELAY VALVE (RV)

PRODUCT FUNCTION

The relay valve is used in compressed air braking system to amplify flow rate during build up and exhaust, thus speeding up the buildup and release time.

PRODUCT FEATURES

- Improved response time while braking.
- Maintains constant level of pressure while braking.
- Quick release during exhaust.
- Less maintenance.
- Ease of installation.
- Thermal range of Operation:- 40°C to 80°C

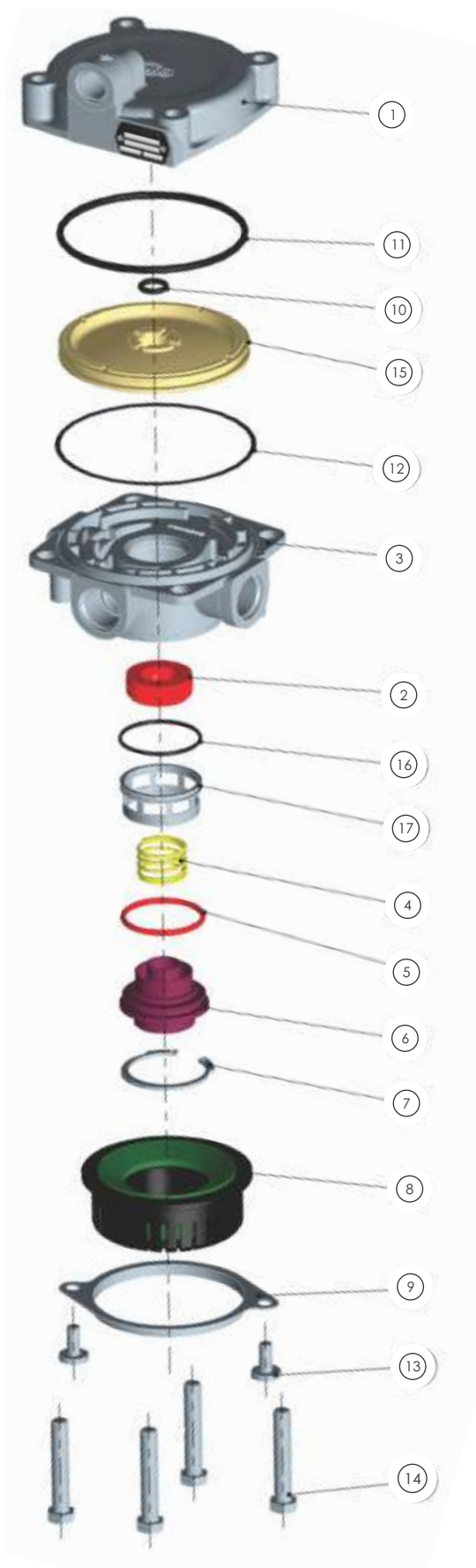
INSTALLATION LOCATION:

Chassis



PART LIST:

PART DESCRIPTION	KB PART NO.	AM PART NO.
RELAY VALVE - V	K003355	B13TM1000150
RELAY VALVE - V/M	RVP06001	B13TM1000113
RELAY VALVE - V/M	RVP06002	B13TM1000110
RELAY VALVE - M/M	RVP08002	B13TM1000158
RELAY VALVE - M	RVP08003	B13TM1000159
RELAY VALVE -WT	RVP09001	B13TM1000109
RELAY VALVE - PLUG	K039700	B13TM1000115
RELAY VALVE - PLUG	K057659	B13TM1000178
RELAY VALVE - V	K064766	B13TM1000123
RELAY VALVE - PLUG/VOSS	K092602	B13DI1001944
RELAY VALVE - VOSS/PLUG	K092603	B13DI1002044
RELAY VALVE - V	K058786	B13DI1000344
RELAY VALVE - V	RVP07007	B13AL1005300
RELAY VALVE - V	K036232	B13MN1000240N



CHILD PART LIST

EXPLODED SR. NO.	SYMBOL	DESCRIPTION	QTY.
1		Cover	1
2	▲	Valve	1
3		Housing	1
4		Spring	1
5	▲	O-Ring	1
6		Guide_Valve	1
7	▲	Ring	1
8		Silencer	1
9		Shim Plate	1
10	▲	O-Ring	1
11	▲	O-Ring	1
12	▲	O-Ring	1
13		Self Tapping Screw	2
14		Bolt_Hex	4
15		Piston	1
16	▲	O-Ring	1
17	▲	Filter	1
18	▲	Lubricant	0.015

REPAIR KITS

SYMBOL	DESCRIPTION	PART NO.	AM PART NO.
▲	These components are parts of Major kit for Relay Valve	2K000064	B12TM1000064

QUICK RELEASE VALVE (QRV)

PRODUCT FUNCTION

The quick release valve is used to rapidly release the large air volume of main bellow

PRODUCT FEATURES

- Operation pressure: 10 bar
- Working temperature range : - 40°C to 80°C
- Integrated silencer
- High Efficiency
- Easy Installation.

INSTALLATION LOCATION:

Chassis

PART LIST:

PART DESCRIPTION	KB PART NO.	AM PART NO.
QUICK RELAY VALVE - V/M	K013794	B13TM1000182
QUICK RELAY VALVE - V/M	K063316	B13TM1000252
QUICK RELAY VALVE	K069289	B13TM1000260
QUICK EXHAUST VALVE	K068510	B13DI1001106
QUICK RELAY VALVE	K070041	B13AL1005000
QUICK RELAY VALVE - V	K087212	B13MN1000030N
QUICK RELAY VALVE - V	K123981	B13IC1008479

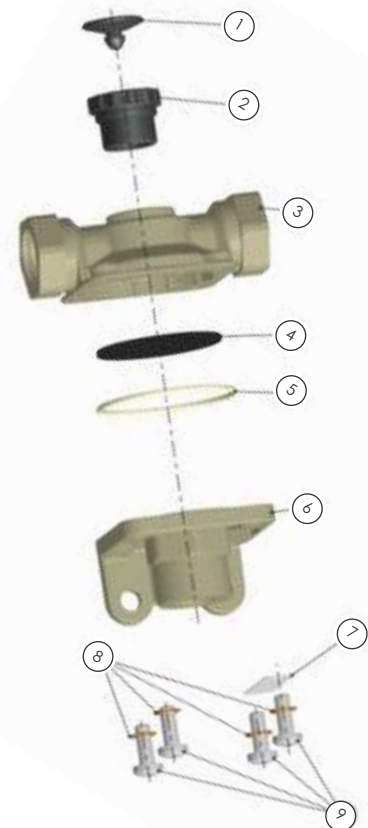


CHILD PART LIST

EXPLODED SR. NO.	SYMBOL	DESCRIPTION	QTY.
1		Diaphragm	1
2		Silencer	1
3		Valve Body	1
4	▲	Diaphragm	1
5	▲	Gasket	1
6		Body Upper	1
7		Label	1
8		Lock Washer	4
9		Screw	4

REPAIR KITS

SYMBOL	DESCRIPTION	PART NO.	AM PART NO.
▲	These components are parts of Major kit for Quick Release Valve	K107513	B12TM1007513



SPRING BRAKE ACTUATOR (SBA)

PRODUCT FUNCTION

Spring Brake Actuator is used for generating the input force required for the service brake and parking brake.

PRODUCT FEATURES

- Improved response time while braking.
- Maintains constant level of pressure while braking.
- Quick release during exhaust.
- Less maintenance.
- Ease of installation.
- Thermal range of Operation:- 40°C to 80°C

PART LIST:

PART DESCRIPTION	KB PART NO.	AM PART NO.
SBA TY 24/24 M - LH	BZ6553	B13TM1000125
SBA TY 24/24 M - RH	BZ7579	B13TM1000124
SBA TY 24/24 V - RH	BZ7578	B13TM1000157
SBA TY 24/24 V - LH	BZ6554	B13TM1000158
SBA TY 20/24 M - LH	K013519	B13TM1000140
SBA TY 20/24 (V+M) - RH	K013196	B13TM1000159
SBA TY 20/24 (V+M) - LH	K013195	B13TM1000160
SBA TY 20/24 M - RH	K013520	B13TM1000139
SBA TY 24/24 M - M	SBAP07026	B13TM1000140A
SBA TY 24/24 V STR	SBAP07016	B13TM1000136
SBA TY 20/24 V/M STR	SBAP07025	B13TM1000110SBA
SBA TY 24/24 V/M	SBAP07027	B13TM1000138
SBA TY 30/30	SBAP07022	B13TM1000164
SBA 24/24 -64MM	SBAP09005	B13TM1009005
SBA TY 30	SBAP10003	B13TM1001003
SBA TY 24/24 M/M	SBAP09010	B13TM1000208
SBA TY 24/24- V-LH	SBAP06002	B13TM1006002
SBA TY 24/24- V-RH	SBAP06001	B13TM1006001
SBA TY 24/24 75	K026675	B13TM1006675
SBA TY 24 V/V	K063837	B13TM1003837
SBA TY 24/24 METRIC	K046556	B13TM1000271
SBA TY 24/24 - 57 (M+V) 300MM S/O	K064282	B13TM1000125L
SBA TY 24/24 - 75 (V+V) 275MM S/O	K078928	B13TM1000209
SBA TY20/24 V	K072225	B13TM1002225
SBA TY20/24	K127069	B13TM1000104
SBA TY 24/24-57	K063043	B13DI1002224
SBA TY 30/37 RH	K090942	B13DI1005724
SBA TY 30/37 LH	K110815	B13DI1007624
SBA TY24/24 - LH - 200MM	K097551	B13DI1005224
SBA TY24/24 - RH - 200MM	K097552	B13DI1005324
SBA 30/30 -72MM - RH	K027084	B13MN1000470N
SBA 30/30 -72MM - LH	K027083	B13MN1000480N
SBA TY 20/24 M - LH	K023741	B13AL1005100
SBA TY 20/24 M - RH	K023740	B13AL1005200

INSTALLATION LOCATION:

Rear Axle



SPRING BRAKE ACTUATOR (SBA)

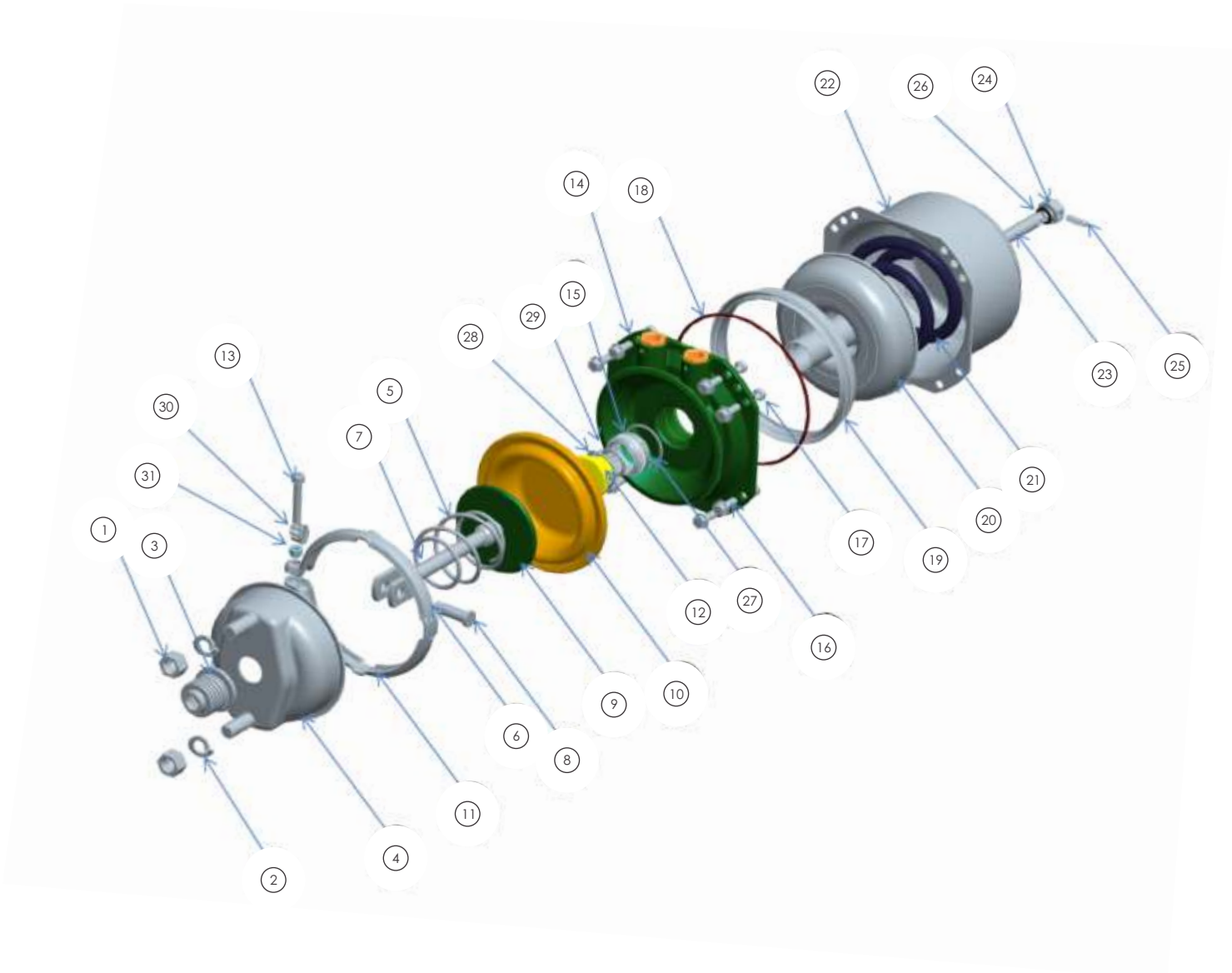
CHILD PART LIST

EXPLODED SR. NO.	SYMBOL	DESCRIPTION	QTY.
1		Nut hex	1
2		Washer	1
3	● ▲	Bellow	1
4		Top cover	1
5	▲	Spring	1
6		Retaining pin	1
7	▲	Piston rod	1
8		Slotted pin	1
9		Piston assembly	1
10	● @ ▲	Diaphragm	1
11	■ ▲	Clamp	1
12		Pusher	1
13	■ ▲	Screw	1
14		Screw hex	8
15	★ @ ■	Seal ring	1
16	▲	Intermediate flang	1
17	▲	Nut	8
18	★ @ ■ ▲	O ring	1
19	★ @ ■	Insert layer	1
20		Piston	1
21		Spring	1
22		Rear body asm	1
23	★ @	Screw asm	1
24	★ @	Nut	1
25	● ★ ■ ▲	Diaphragm brk chmbr s-cam	1
26	★ @ ▲	O-ring	1
27	★ @ ■	Ring_snap circular int	1
28	★ @ ■	O-ring	1
29	★ @ ▲	O-ring	1
30	■ ▲	Spacing sleeve	1
31	▲	Nut	1
32	★ @ ■	Lubricant	0.025



REPAIR KITS

SYMBOL	DESCRIPTION	PART NO.	AM PART NO.
▲	These components are parts of Major kit for SBA-Type 20/24	2K000052	BM12TM1000052
●	These components are parts of Minor kit for Spring Brake Actuator-Type 20/24	2K000053	BM12TM1000053
▲	These components are parts of Major Kit For SBA Type-24/24 Service Side	2K000054	BM12TM1000054
●	These components are parts of Minor kit for SBA Type-24/24 Service Side	2K000055	BM12TM1000055
@	These components are parts of Major Kit For SBA Type-20/24 & 24/24 Parking Side	2K000056	BM12TM1000056
★	These components are parts of Minor Kit For SBA Type-20/24 & 20/24 Parking Side	2K000057	BM12TM1000057
■	These components are parts of Clamp Ring For SBA Type-20/24	2K0000850	BM12TM1000850
■	These components are parts of Clamp Ring For SBA Type-24/24	2K0000860	BM12TM1000860



LOOSE PARTS

DESCRIPTION	AM PART NO.	KB PART NO.
SPRING FOR SBA TY 20 & TY 24 SERVICE SIDE	B15TM1007211	Z0117211
INTERMEDIATE FLANGE SBA TY 2424 V-V	B15TM1007212	Z0117212/IN
INTERMEDIATE FLANGE SBA TY 20/24 M-M	B15TM1007231	Z0117231/IN
INTERMEDIATE FLANGE SBA TY 20/24 V-M	B15TM1007232	Z0117232/IN
BIG PISTON FOR SBA TY 24	B15TM1006569	K026643
REAR BODY SBA TY 24	B15TM1000100	2G1120100
DIAPHRAGM TY 20	B15TM1001184	2B61184/IN
DIAPHRAGM TY 24	B15TM1004322	2B64322/IN
DIAPHRAGM TY 30	B15TM1007049	K027049
SPRING FOR SBA TY 20 & TY 24 SERVICE SIDE	B15TM1007758	4B87758/IN
TOP COVER FOR SBA TY 20/24	B12TM1000091	K027035
TOP COVER FOR SBA TY 24/24	B12TM1007052	K027082

BRAKE CHAMBER (BC)

PRODUCT FUNCTION

The brake chamber is used for generating the input force for foundation brakes.

PRODUCT FEATURES

- Converts air pressure to force through push rod.
- Operating stroke 57/75 mm
- Temperature range - 40° to + 80° C
- Maximum operating pressure 10 Bar
- Various variant range: TY16, TY20, TY24, TY30.
- Maximum braking efficiency, optimal service life and reduced running costs.
- Safe and durable at all speeds.
- Smooth and comfortable operation

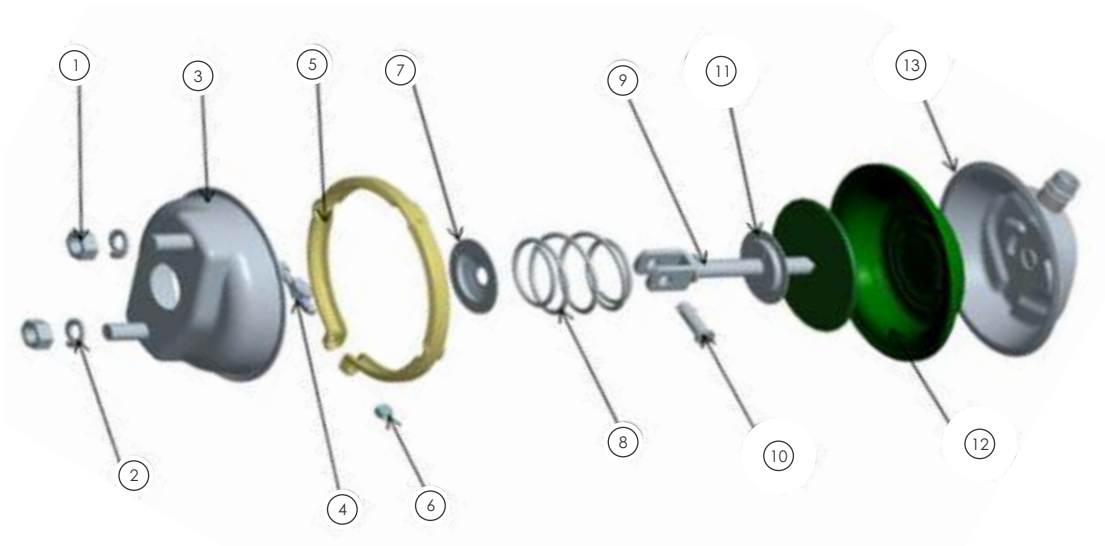
INSTALLATION LOCATION:

Front Axle, Trailer Axle



PART LIST:

PART DESCRIPTION	KB PART NO.	AM PART NO.
BRAKE CHAMBER TY 24 M	K013526	B13TM1000101
BRAKE CHAMBER TY 20 M-RH	BX3432	B13TM1000102
BRAKE CHAMBER TY 20 M-LH	BX3431	B13TM1000103
BRAKE CHAMBER TY 30	K025395	B25TM1260116
BRAKE CHAMBER TY 24 M	K027037	B25TM1260161
BRAKE CHAMBER TY 16	K083072	B25TM1260162
BRAKE CHAMBER TY 24 -75	K070111	B25TM1260112
BRAKE CHAMBER TY 30 -75	K027085	B13MN1000320
BRAKE CHAMBER TY 30/37 RH	K090934	B13DI1005624
BRAKE CHAMBER TY 30/37 LH	K110821	B13DI1007524
BRAKE CHAMBER TY 24/57	K063042	B13DI1002124
BRAKE CHAMBER TY 20 M-LH	K023731	B13AL1004500
BRAKE CHAMBER TY 20 M-RH	K023732	B13AL1004600
BRAKE CHAMBER TY 24 175/75	K103492	B13TM1000492
BRAKE CHAMBER TY 30 175/75	K109030	B13TM1000030
BRAKE CHAMBER TY 24 225/75	K107945	B13TM1000945



CHILD PART LIST

EXPLODED SR. NO.	SYMBOL	DESCRIPTION	QTY.
1		Nut_Hex	1
2		Washer	1
3		Top Cover	1
4	◆ ▲	Screw	1
5	◆ ▲	Clamp	1
6	◆ ▲	Nut	1
7		Spring Cup	1
8		Spring	1
9		Piston Assembly	1
10		Retaining Pin	1
11		Spring Bracket	1
12	● ▲	Diaphragm	1
13		Air Pressure Plate	2
14	● ▲	Slotted Pin	4
15	◆ ▲	Spacing Sleeve	1
16	● ▲	Boot	1
17	● ▲	Ring	1

REPAIR KITS

SYMBOL	DESCRIPTION	PART NO.	AM PART NO.
▲	These components are parts of Major kit for Bracke Chamber-Type 20	2K000052	BM12TM1000052
●	These components are parts of Minor kit for Brake chamber Type -20	2K000053	BM12TM1000053
▲	These components are parts of Major kit for Brake Chamber Type -24	2K000054	BM12TM1000054
●	These components are parts of Minor kit for Brake Chamber Type -24	2K000055	BM12TM1000055
▲	These components are parts of Major kit for Brake Chamber-Type 30	K027039	-
●	These components are parts of Minor kit for Brake Chamber Type -30	K026678	-
◆	These components are parts of Clamp Ring For Brake Chamber Type-20	2K0000850	BM12TM1000850
◆	These components are parts of Clamp Ring For Brake Chamber Type-24	2K0000860	BM12TM1000860
▲	These components are parts of Major kit for Brake Chamber-Type 16	K082264	-
▲	These components are parts of Minor kit for Brake Chamber Type 16	K082265	-

AUTOMATIC SLACK ADJUSTER (ASA)

PRODUCT FUNCTION

Converts the linear force of the actuator into torque which rotates the brake camshaft. Also adjusts stroke/gap between the brake lining and drum.

PRODUCT FEATURES

- Strong, simple and more effective mechanism
- Requires less CCW torque during installation on vehicle
- Rigid body
- Offset adaptability
- Strong durable gear set

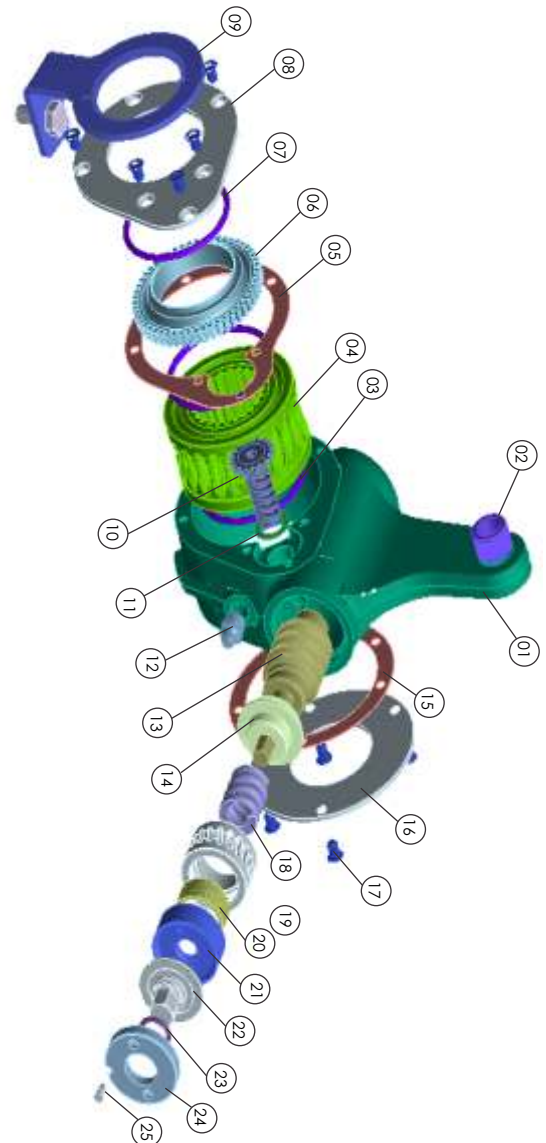


PART LIST:

PART DESCRIPTION	KB PART NO.	AM PART NO.
ASA Closed Back	K078765	B14TM1000215
ASA 16mm RH (CD 140)	K012592	B14TM1000153
ASA 16mm LH (CD 140)	K012591	B14TM1000156
ASA 16mm RH (CD 150)	K049979	B14TM1000191
ASA 16mm LH (CD 150)	K049978	B14TM1000190

CHILD PART LIST

EXPLODED SR. NO.	SYMBOL	DESCRIPTION	QTY.
1		Housing	1
2		Bushing	1
3	▲	O-Ring	2
4		Worm Wheel	1
5	▲	Gasket	1
6	●	Wheel	1
7	●	O-Ring	1
8	●	Side Plate	1
9	●	Bracket Asm	1
10		Adjusting Screw	1
11		Shim	1
12		Grease Nipple	1
13		Gear_Worm	1
14		Bearing	1
15		Gasket	1
16		Side Plate	1
17	▲	Screw	10
18	▲	Spring	1
19	▲	Clutch Gear	1
20	▲	Spring	1
21	▲	Clutch	1
22	▲	Plug_Hex	1
23	▲	O-Ring	1
24	▲	End Cover	1
25	▲	Rivet	1



REPAIR KITS

SYMBOL	DESCRIPTION	PART NO.
▲	These components are parts of Major kit for ASA	K050916
●	Reference arm assembly for ASA	K109718

PRESSURE LIMITING VALVE (PLV)

PRODUCT FUNCTION

The pressure limiting valve is designed to reduce the pressure at required point in air braking system.

PRODUCT FEATURES

- Regulates pressure
- Simple and Compact design
- Easy for maintenance
- Offset adaptability
- Ease of installation

PART LIST:

PART DESCRIPTION	KB PART NO.	AM PART NO.
PRESSURE LIMITING VALVE	K047143	B25TM1260113
PRESSURE LIMITING VALVE	K081565	B25TM1260102
PRESSURE LIMITING VALVE	K115686	B25TM1260686
PRESSURE LIMITING VALVE	K034347	B25TM1260166
PRESSURE LIMITING VALVE	K057397	B25AL1260400
PRESSURE LIMITING VALVE	K097498	B25MN1260460N
PRESSURE LIMITING VALVE	K086976	B25MN1260020N
PRESSURE LIMITING VALVE	K036230	B25MN1260310N
PRESSURE REDUCTION VALVE	K055528	B25DI1260308
PRESSURE REDUCTION VALVE	K099752	B25DI1260244
PRESSURE REDUCTION VALVE	K091822	B25DI1260144
PRESSURE LIMITING VALVE	K091822	B25E11260467

CHILD PART LIST

EXPLODED SR. NO.	SYMBOL	DESCRIPTION	QTY.
1		Adjusting Screw	1
2		Lock Nut	2
3	▲	Seal	1
4		Housing	1
5	▲	Spring Support	1
6		Spring_Helical Compression	1
7		Piston Body	1
8		Cover	1
9	●	O-Ring	1
10	●	O-Ring	1
11	●	Dust Cover	1
12	●	Circlip	1
13	●	Lubricant	0.020

REPAIR KITS

SYMBOL	DESCRIPTION	PART NO.	AM PART NO.
▲	These components are parts of Major kit for Pressure Limiting Valve	2K000088	B12TM1000088



AUTOMATIC LOAD SENSING VALVE (ALSV)

PRODUCT FUNCTION

The valve is used in lift axle system of trucks. The mechanically actuated load sensing valve automatically regulates the pneumatic pressure input depending upon the loading of the vehicle.

PRODUCT FEATURES

- Dynamic Straight-line controller
- Spring back mechanism to ensure definite pressure at delivery in case of failure of mechanical linkage.
- Easy installation.
- Compatible for truck and trailer lift axle operations.
- Easily Serviceable.
- Optimized and robust design.

INSTALLATION LOCATION:

Chassis



PART LIST:

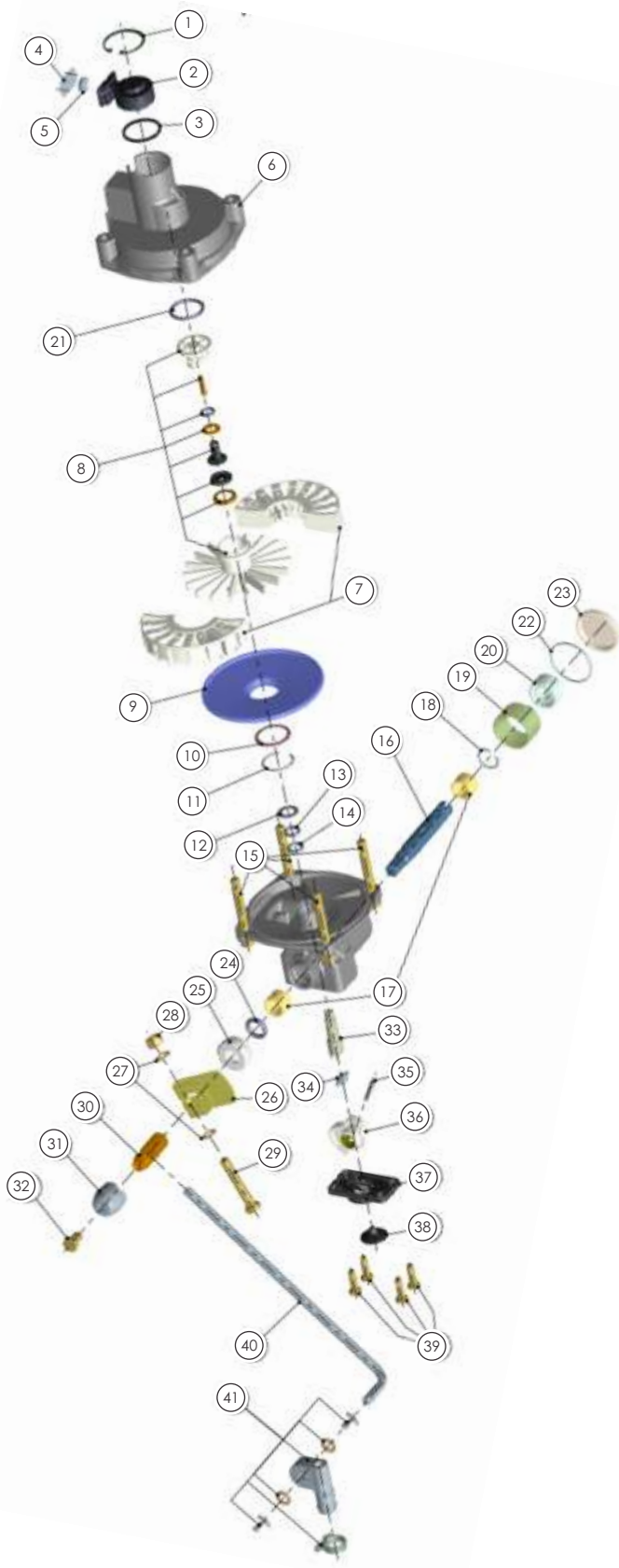
PART DESCRIPTION	KB PART NO.	AM PART NO.
LOAD SENSING VALVE WITH VOSS CONN.	K036489/IN	B25TM1260247
LOAD SENSING VALVE WITH VOSS CONN.	K036489/IN	B25TM1260247
LOAD SENSING VALVE WITH VOSS CONN.	K081625	B25TM1260202
LOAD SENSING VALVE WITH VOSS CONN.	K103533	B25DI1260113
LOAD SENSING VALVE WITH VOSS CONN.	K058739	B25DI1260108
LOAD SENSING VALVE WITH VOSS CONN.	K057039	B25AL1260300
LOAD SENSING VALVE WITH VOSS CONN.	K156212	B25MN1260040N
LOAD SENSING VALVE WITH VOSS CONN.	K088138	B25MN1260161N
LOAD SENSING VALVE WITH VOSS CONN.	K123976	B25IC12608469

REPAIR KITS

SYMBOL	DESCRIPTION	PART NO.	AM PART NO.
▲	These components are parts of Major kit for Automatic Load Sensing Valve	K091856	B12TM10001856
●	These components are parts of Minor kit for Automatic Load Sensing Valve	K091857	B12TM10001857
★	These components are parts of Rubber Clamp for Automatic Load Sensing Valve	K057803	B12TM10007803

CHILD PART LIST

EXPLODED SR. NO.	SYMBOL	DESCRIPTION	QTY.
1		Ring Retaining	1
2		Sealing Cover	1
3		Seal Ring	1
4		Name Plate	1
5		Seal Ring	1
6		Housing	1
7	★	Fan Shaped Insert	1
8		Piston	1
	●	Guide disc	1
	●	Sealing Ring	1
	●	Valve Head Guide	1
	●	Disc	1
	● ▲	O-Ring	1
	●	Spring	1
	●	Spring Capsule	1
9	●	Diaphragm	1
10	● ▲	Thrust Ring	1
11		Circlip	1
12		Disc	1
13	● ▲	O-Ring	1
14		Guide Disc	1
15		Hex Bolt	4
16		Switch Spindle	1
17	▲	Bush	2
18		Locking Ring	1
19	▲	Torsion Spring	1
20	▲	Cap	1
21	● ▲	O-Ring	1
22	● ▲	O-Ring	1
23	● ▲	Sealing Cover	1
24		O-Ring	1
25		Protective Cap	1
26		Pointer	1
27		Disc	2
28	●	Nut	1
29	●	Hex Bolt	1
30		Sleeve	1
31		Cap	1
32		Hex Bolt	1
33	▲	Valve Pipe	1
34	▲	Bolt	1
35	● ▲	Clamping Pin	1
36	● ▲	CAM	1
37	▲	Cover	1
38	▲	Diaphragm	1
39		Hex Bolt	1
40		Link	1
41	★	Split Pin	2
42	★	Hose Clamp	1
43	★	Disc	2
44	★	Rubber Tube	1
45	● ▲	Lubricant	0.015



LIFT AXLE CONTROL VALVE (LACV)

PRODUCT FUNCTION

Lift Axle control valve is used to automatically control lift axle operation in any type of heavy commercial vehicle.

PRODUCT FEATURES

- Smarter design for flexibility in applications.
- Compatible for truck and trailer lift axle operations.
- Optimized design requires minimum external components.
- Manual override to lift the axle for traction assist.

PART LIST

PART DESCRIPTION	KB PART NO.	AM PART NO.
LACV ASSEMBLY GEN II (TML) (31T)	K067500	B25TM1260201
LACV ASSEMBLY GEN II (TML) (37T)	K081535	B25TM1265039
LACV ASSEMBLY GEN II (TML) (31T)	K117107	B25TM1265107
LACV ASSEMBLY GEN II (DICV)	K068103	B25DI1260208
LACV ASSEMBLY (ALL)	K105572	B25AL1260200AL
LACV ASSEMBLY (MTBL)	K089060	B25MN1260051N
LACV ASSEMBLY (VE)	K124211	B25EI12603779



REPAIR KIT DETAILS

SYMBOL	DESCRIPTION	AM PART NO.	KB PART NO.
1	Solenoid Coil	B25TM1263332	K043332
2	5/2 Valve Gen II	B25TM1269971	K069971
3	5/2 Valve Gen II (DICV)	B25TM1268766	K088766
4	Pressure Switch (2.5-4.5 bar)	B25TM1264464	K134464
5	Pressure Switch (1.5-3 bar)	B25TM1264465	K134465
6	Pressure Switch (3-5 bar)	B25TM1264466	K134466
7	Pressure Switch (3-5 bar DICV)	B25TM1264467	K134467

LACV REPAIR KIT MATRIX

LACV PART NUMBER	K067500	K081535	K117107	K068103	K105572	K089060	k124211
Application	TML 31T	TML 37T	TML31T	DICV 31/37T	AL 31/37T	MTBL 37 T	EICHER 37T
Solenoid Coil	K043332	K043332	K043332	K043332	K043332	K043332	K043332
5/2 Valve	K069971	K069971	K069971	K088766	K069971	K069971	K069971
Pressure Switch	K134464	K134465	K134466	K134467	K134466	K134466	K134466

MATRIX OF LIFT AXEL SYSTEMS PARTS

CUSTOMER VEHICLE	TML 3118	TML 3118 BS-4	TML 3718	ASHOK LEYLAND 3118/3718	BHARATBENZ 3123/3723	VOLVO EICHER	MAHINDRA T&B
PLV SETTING	K047143 5.2 +/-0.1bar	K115686 5.6 +/-0.1bar	K081565 3.8 +/-0.1 bar	K105572 6.7 +/-0.3 bar	K055528 5.8 +/-0.2 bar	K123980 6.3 +/-0.2 bar	K086976 6.6 +/-0.2 bar
ALSV SETTING	K036489 106+2 mm	K036489/IN 95+/-2 mm	K081625 93 + 2 mm	K057039 120+/-3 mm	K058739 105+/-2 mm	K123976 175+/-2 mm	K088138
QRV	K069289	K069289	NA	K065812	K010352/K002622	K123981	K107469
LACV P to E	K067500 2.5 & 4.5 bar	K117107 3 & 5 bar	K081535 1.5 & 3 bar	K057388 3 & 5 bar	K068103 3 & 5 bar	K124211 3 & 5 bar	K089060 3 & 5 bar

OTHER PARTS

TRAILER CONTROL VALVE (TCV)



PART	KB PART NO.
TRAILER CONTROL VALVE	TCVP08002
TRAILER CONTROL VALVE	TCVP07001

INTEGRATED PEDAL UNIT (IPU)



PART	KB PART NO.
INTEGRATED PEDAL UNIT	K051239
INTEGRATED PEDAL UNIT	K063765

WHEEL SPEED SENSOR (WSS)



PART	KB PART NO.
Wheel Speed Sensor (L Type)	ABSP07003
Wheel Speed Sensor (Straight)	486001064

ANTI-COMPAUNDING RELAY VALVE (ACRV)



PART	KB PART NO.
ANTI-COMPAUNDING RELAY VALVE	ACRVP07001
ANTI-COMPAUNDING RELAY VALVE	K091823
ANTI-COMPAUNDING RELAY VALVE	K050295
ANTI-COMPAUNDING RELAY VALVE	K107469
Repair Kit For ACRV - 2K1000110	
Repair Kit For EDRV - K138064	

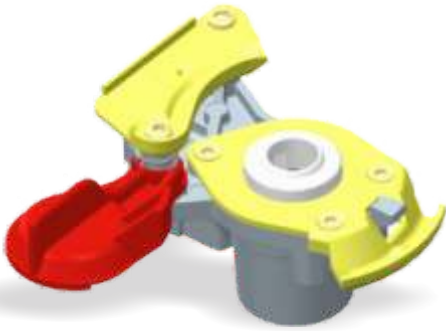
MODULATOR VALVE (MV)



PART	KB PART NO.
MODULATOR VALVE 24V	ABSP06004
MODULATOR VALVE 24V	ABSP06005
MODULATOR VALVE (VOSS) 12V	ABSP07001
MODULATOR VALVE 12V	ABSP07002
MODULATOR VALVE	K129385
MODULATOR VALVE WT 24V	K045550
MODULATOR VALVE WT 24V	K045409
MODULATOR VALVE 24V	ABSP06004
MODULATOR VALVE 24V	P3F0064
MODULATOR VALVE 24V	ABSP08004

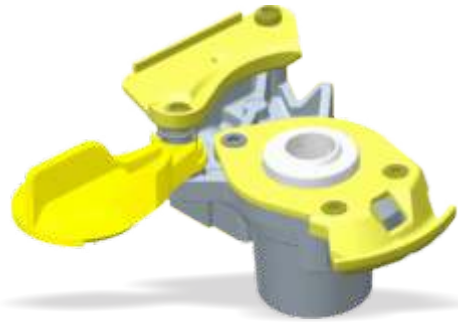
OTHER PARTS

PALM COUPLING SUPPLY-TRACTOR (PCV)



PART	KB PART NO.
PALM COUPLING SUPPLY-TRACTOR	PCP07002
PALM COUPLING SUPPLY-TRACTOR	K115602
PALM COUPLING SUPPLY-TRACTOR	K036228

PALM COUPLING CONTROL -TRACTOR (PCV)



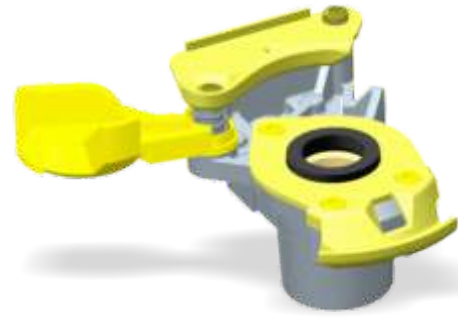
PART	KB PART NO.
PALM COUPLING CONTROL -TRACTOR	PCP07001
PALM COUPLING CONTROL -TRACTOR	K115603
PALM COUPLING CONTROL -TRACTOR	K036229

PALM COUPLING SUPPLY - TRAILER (PCV)



PART	KB PART NO.
PALM COUPLING SUPPLY - TRAILER	K091924
PALM COUPLING SUPPLY - TRAILER	K115604

PALM COUPLING CONTROL - TRAILER (PCV)



PART	KB PART NO.
PALM COUPLING CONTROL - TRAILER	K091925
PALM COUPLING CONTROL - TRAILER	K115605

ELECTRONIC CONTROL UNIT (ECU)



PART	KB PART NO.
ELECTRONIC CONTROL UNIT	K066941
ELECTRONIC CONTROL UNIT 4S4M 12 V	K114566
ELECTRONIC CONTROL UNIT 4S3M 24 V	K111471
ELECTRONIC CONTROL UNIT 4S3M 24 V	K066941

EXHAUST BRAKE VALVE (EBV)



PART	KB PART NO.
EXHAUST BRAKE VALVE	K109186
EXHAUST BRAKE VALVE	K147772
EXHAUST BRAKE VALVE/4"	K040587
EXHAUST BRAKE VALVE/4"	K076603

OTHER PARTS

3X2 SOLENOID VALVE (SV)



PART	KB PART NO.
SOLENOID VALVE 12V	EBSVP09002
SOLENOID VALVE 24V	EBSVP09003
SOLENOID VALVE 24V	EBSVP08001
SOLENOID VALVE 24V	SLDVP10001
SOLENOID VALVE 24V	K082399

MANUAL SLACK ADJUSTER (MSA)



DESCRIPTION	KB PART NO.
MANUAL SLACK ADJUSTER	K043917
MANUAL SLACK ADJUSTER 16mm LH	K043993
MANUAL SLACK ADJUSTER 16mm RH	K043994
MANUAL SLACK ADJUSTER	K043918
MANUAL SLACK ADJUSTER 16mm LH	K043995
MANUAL SLACK ADJUSTER 16mm RH	K043996
MANUAL SLACK ADJUSTER	K050034
MANUAL SLACK ADJUSTER (Local)	K134681

AIR PROCESSING UNIT (APU)



DESCRIPTION	KB PART NO.	AM PART NO
AIR PROCESSING UNIT	K034367	B13EI1005584
AIR PROCESSING UNIT	APUP10002 / K017466	B13DI1000915
AIR PROCESSING UNIT	K091090	B13MN1000380N
AIR PROCESSING UNIT	K059670	B13TM0700109

BRAKE LINING

PRODUCT FUNCTION

The brake linings friction material is riveted to the brake shoe. They are manufactured with a heat-resistant material. The brake linings are designed with focus of safe braking, long service life, low noise level and absence of vibrations.

PRODUCT FEATURES

- Lining friction material to OEM specification. Developed by understanding the vehicle type, weight and operation resulting in right lining for right vehicle.
- Maximum braking efficiency, optimal service life and reduced running costs.
- Safe and durable at all speeds. to avoid partial release
- Substances in friction material selected to minimize impact on environment.
- Low environmental impact.
- Linings designed with grooved and chamfered edges to minimize noise and vibrations.
- Smooth and comfortable operation.

PART LIST

SR. NO.	PART DESCRIPTION	AM PART NO.	RFRONT(FR) & REAR(RR)
1	Tata 1510/1612/ 2515/ 3516/ 4019/Eicher Jumbo 2016 - Tapered Lining	KAF69-TT/TP/SM/1-STD	FR
2	Tata 1510/1612/ 2515/ 3516/ 4019/Eicher Jumbo 2016 - Tapered Lining	KAF70-TT/TP/SM/1-TS1 I OS	
3	Tata 1510/1612/ 2515/ 3516/ 4019/Eicher Jumbo 2016 - Tapered Lining	KAF71-TT/TP/SM/1-TS1 II OS	
4	TATA 1510/1612/ 2515/ 3516/ 4019/Eicher Jumbo 2016 - Tapered Lining	KAF72-TT/TP/SM/2-STD	FR
5	TATA 1510/1612/ 2515/ 3516/ 4019/Eicher Jumbo 2016 - Tapered Lining	KAF73-TT/TP/SM/2-TS2 I OS	
6	TATA 1510/1612/ 2515/ 3516/ 4019/Eicher Jumbo 2016 - Tapered Lining	KAF74-TT/TP/SM/2-TS2 II OS	
7	Tata 1109/ Eicher MCV (11.10 Model)	KAF51-T1109/1-STD	FR & RR
8	Tata 1109/ Eicher MCV (11.10 Model)	KAF59-T1109/1-I OS	
9	Tata 1109/ Eicher MCV (11.10 Model)	KAF60-T1109/1-II OS	
10	Tata 909 EX, SWARAJ SAMRAT(F)	KAF54-T909/1-STD	FR & RR
11	Tata 909 EX, SWARAJ SAMRAT(F)	KAF61-T909/1-I OS	
12	Tata 909 EX, SWARAJ SAMRAT(F)	KAF62-T909/1-II OS	
13	Tata 709 EX	KAF53-T709/1-STD	FR & RR
14	Tata 709 EX	KAF63-T709/1-I OS	
15	Tata 709 EX	KAF64-T709/1-II OS	
16	COMET 5" (10 Holes) ROLLER FOLLWER (Girling Brakes) TAPERED LININGS	KAF75-AL/TP/SM1&2-STD	FR
17	COMET 5" (10 Holes) ROLLER FOLLWER (Girling Brakes) TAPERED LININGS	KAF76-AL/TP/SM1&2-I OS	
18	COMET 5" (10 Holes) ROLLER FOLLWER (Girling Brakes) TAPERED LININGS	KAF77-AL/TP/SM1&2-II OS	
19	COMET 7" (10 Holes) ROLLER FOLLWER (Girling Brakes) TAPERED LININGS	KAF48-AL/TP/SM3&4-STD	FR
20	COMET 7" (10 Holes) ROLLER FOLLWER (Girling Brakes) TAPERED LININGS	KAF46-AL/TP/SM3&4-I OS	
21	COMET 7" (10 Holes) ROLLER FOLLWER (Girling Brakes) TAPERED LININGS	KAF47-AL/TP/SM3&4-II OS	
22	COMET 6" HLP (10 Holes) ROLLER FOLLWER/ 12 METER BUS (Girling Brakes) TAPERED LININGS	KAF81-AL/TP/SM7&8-STD	FR
23	COMET 6" HLP (10 Holes) ROLLER FOLLWER/ 12 METER BUS (Girling Brakes) TAPERED LININGS	KAF82-AL/TP/SM7&8-I OS	
24	COMET 6" HLP (10 Holes) ROLLER FOLLWER/ 12 METER BUS (Girling Brakes) TAPERED LININGS	KAF83-AL/TP/SM7&8-II OS	
25	York Axle (16 Holes)	KAF84-4515EYRKFWD-STD	-
26	York Axle (16 Holes)	KAF85-4515EYRKFWD-I OS	
27	York Axle (16 Holes)	KAF86-4515EYRKFWD-II OS	
28	Leyland 12 Mtr HLP Bus	KAF78-AL/TP/HLP 3&4 7"-STD	FR
29	Leyland 12 Mtr HLP Bus	KAF79-AL/TP/HLP 3&4 7"-I OS	
30	Leyland 12 Mtr HLP Bus	KAF80-AL/TP/HLP 3&4 7"-II OS	

SR. NO.	PART DESCRIPTION	AM PART NO.	RFRONT(FR) & REAR(RR)
31	Leyland 12 Mtr HLP Bus	KAF50-AL/TP/HLP7&8 6"-STD	FR
32	Leyland 12 Mtr HLP Bus	KAF65-AL/TP/HLP7&8 6"-I OS	
33	Leyland 12 Mtr HLP Bus	KAF66-AL/TP/HLP7&8 6"-II OS	
34	Leyland 12 Mtr HLP Bus	KAF89-AL/TP/A/HLP10&11 8"-STD	FR
35	Leyland 12 Mtr HLP Bus	KAF90-AL/TP/A/HLP10&11 8"-I OS	
36	Leyland 12 Mtr HLP Bus	KAF91-AL/TP/A/HLP10&11 8"-II OS	
37	Leyland 12 Mtr HLP Bus	KAF49-AL/TP/B/HLP10&11 8"-STD	FR
38	Leyland 12 Mtr HLP Bus	KAF67-AL/TP/B/HLP10&11 8"-I OS	
39	Leyland 12 Mtr HLP Bus	KAF68-AL/TP/B/HLP10&11 8"-II OS	
40	Volvo Brake Pad (WVA 29174) - Bus	KAF45-AL/TP/V/WVA - STD	-
41	Mercedes Brake (WVA 29108) - Bus	KAF44-AL/TP/M/WVA - STD	-
42	Tata Prime/MTBL/Bharat Benz 410 x 200 NGT	KAF44-AL/TP/TMB - STD	FR
43	Tata Prime/MTBL/Bharat Benz 410 x 200 NGT	KAF45-AL/TP/TMB - I OS	
44	Tata Prime/MTBL/Bharat Benz 410 x 200 NGT	KAF46-AL/TP/TMB - II OS	
45	Tata Prime/MTBL/Bharat Benz 410 x 220 NGT	KAF47-AL/TP/TMB - STD	RR
46	Tata Prime/MTBL/Bharat Benz 410 x 220 NGT	KAF48-AL/TP/TMB - I OS	
47	Tata Prime/MTBL/Bharat Benz 410 x 220 NGT	KAF49-AL/TP/TMB - II OS	
48	WVA 19581 - Fuwa/York	KAF51-AL/TP/FY	-
49	WVA 19582 - Fuwa/York	KAF52-AL/TP/FY	-
50	ADB Pad (29108 D 1203) - JBM	KAF50-AL/TP/ADB-P	-



TRAILER ANTI-LOCK BRAKING SYSTEM



INTRODUCTION:

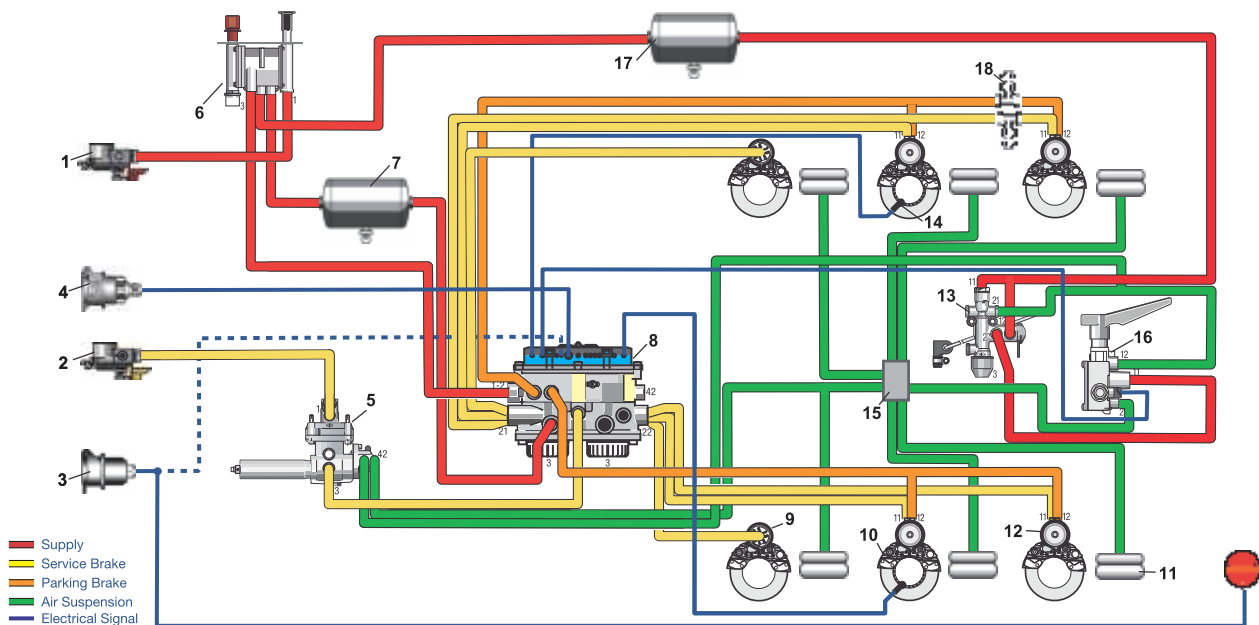
The KNORR-BREMSE module is an integrated ABS electronic control unit and two ABS relay modulator valves for air braked trailers: semi trailers center axle trailers and full trailers.

The KNORR-BREMSE KB4TA D system comprises an ABS electronic control unit plus two ABS relay modulator valves and is suitable for air braked trailers: Semi-Trailers, Center-Axle Trailers and Full Trailers.

TRAILER ABS LAYOUT:

SEMI-TRAILER AIR BRAKE AND SUSPENSION SYSTEM WITH KB4TA ABS

(2S/2M brake system and air suspension system with raise/lower valve)



- 1 Coupling Head Supply with Filter
- 2 Coupling Head Control with Filter and Test Connector
- 3 ISO 1185 Connector (24N)
- 4 ISO 7638 Connector (ABS)
- 5 Load Sensing Valve

- 6 Park/Shunt Valve with integral Emergency Function and Charging Valve
- 7 Air Reservoir (Service and Parking)
- 8 KB4TA Brake Module
- 9 Brake Chamber

- 10 Air Disc Brake
- 11 Air Suspension Bellows
- 12 Spring Brake
- 13 Levelling Valve with Height Limitation
- 14 Sensing Ring and Wheel Speed Sensor

- 15 Manifold Block
- 16 Raise/Lower Valve with Speed Pulse reset to ride height
- 17 Air Reservoir (Air Suspension)
- 18 Test Connector

TRAILER ABS COMPONENTS ARE BROADLY DIVIDED IN BELOW THREE SECTIONS

1

AXLE END COMPONENTS

- Wheel Speed Sensor
- Pole Wheel
- Sensor Bush
- Sensor Extension Cable

2

TRAILER COMPONENTS

- Trailer ABS ECU
- ABS Modulator Valve
- Power Cable
- Diagnostic Cable

3

TRACTOR COMPONENTS

- Coiled Cable
- Socket Assembly
- Dashboard Harness

T-ABS MAJOR COMPONENTS:



KB4TA D ECU



ABS MODULATOR RELAY VALVE



WHEEL SPEED SENSOR



POLE WHEEL



COILED/SUZI CABLE



POWER CABLE



DIAGNOSTIC CABLE X1



SENSOR EXTENSION CABLE

• **Suitable For Semi-, Center-axle- & Drawbar - Trailer**

- Retrofit Possibility To Existing Trailers
- Suitable For Air- & Mechanical-suspension

• **Covers 2s/2m, 4s/2m & 4s/3m-antilock-configuration**

- Auto-Configuration From 2S/2M To 4S/2M

• **Auxiliary Features Available:**

- Reset-to-ride
- Integrated Speed-switch
- Communication With External Information System Via 5 Volt J1939 Possible

• **Several Diagnostic Options Available:**

- PC-Diagnostics
- Blink Code-Diagnostics

ADVANTAGES:

Multiple Installation Options

All components in one pre assembly
Distributed systems with cost optimized wiring harness

Best In Class Performance

Optimized response time.
optimized ABS performance

Multiple Diagnostic Options

PC diagnostics, smartphone through iTAP in development.
Blink Code via brake pedal activation
(No add. Tools required)

Service Concept

All components / sub-components serviceable individually

Low Cost Telematic Interface

iTAP push compatibility with all KNORR-BREMSE
Trailer products

PC DIAGNOSTIC PROGRAM:

This computer - based program utilizes the same platform and hardware as that by the **KNORR-BREMSE TEBS** and provides a user-friendly interface to carry out the following tasks.

- Configuration of the ABS and auxiliary functions
- End of line testing
- Diagnostic information
- Mileage record
- Carry out system checks



T-ABS KIT PART NO.

SR. NO.	KB PART NO.	DETAILS INFORMATION
1	K156234	BRIC T-ABS (3 Axle Trailer Kit W/O RE6 & Air Tank)
2	K156235	BRIC T-ABS (2 Axle(20 feet)Trailer Kit W/O RE6 & Air Tank)
3	K156236	BRIC T-ABS (2 Axle LPG Tanker) W/O WSS Extention Cable
4	K156237	BRIC T-ABS W/O Hose Pipe
5	K156167	BRIC T-ABS (2 Axle LPG Tanker) With WSS Extention Cable
6	K155969	Tractor Kit (Horse Kit)
7	K153873	BRIC T-ABS (2 Axle Trailer Kit W/O RE6 & Air Tank)
8	K153874	BRIC T-ABS (3 Axle Trailer Kit W/O RE6 & Air Tank)
9	K153560	BRIC T-ABS (2 Axle LPG Tanker) W/O WSS Extention Cable
10	K148532	Advanced Trailer ABS KIT-- (With out Air Hose)



INNOVATIONS THAT
WORK FOR YOU

AIR COMPRESSOR

SR. NO.	PART DESCRIPTION	KB PART NO.	AM PART NO.
1	AIR COMPRESSOR (N4) 225CC	K050139	B13AL1005010
2	AIR COMPRESSOR 360CC WITH ESS	K031860	B13AL100711
3	AIR COMPRESSOR 360CC WITH ESS	K067196N17	B13VE1009653
4	AIR COMPRESSOR 360CC WITH ESS	K051379N07	B13VE1000929
5	AIR COMPRESSOR 225CC	K071830	B13VE1005010
6	AIR COMPRESSOR 225CC	K071827	B30TM1001827
7	AIR COMPRESSOR 225CC	K071842	B30TM1006001

AIR DRYER AND AIR PROCESSING UNIT

SR. NO.	PART DESCRIPTION	KB PART NO.	AM PART NO.
1	AIR DRYER	K014963	B13TM1000169
2	AIR DRYER	K015634	B13TM1000169
3	AIR DRYER	K035983	B13TM1000143
4	AIR DRYER	K028053	B13TM1000151ADV
5	AIR DRYER WITH OSC	K095813	B13TM0700118
6	AIR DRYER WITH OSC	K095811	B13TM0700165
7	AIR DRYER	K045335	B13TM1000141
8	AIR DRYER	K023915	B13AL1004200
9	AIR DRYER	K023913	B13AL1007400
10	AIR DRYER	K045180	B13DI1000115
11	Air Processing Unit	K034367	B13EI1005584
12	Air Processing Unit	APUP10002/K017466	B13DI1000915
13	Air Processing Unit	K091090	B13MN1000380N
14	Air Processing Unit	K059670	B13TM0700109

FOUR CIRCUIT PROTECTION VALVE

SR. NO.	PART DESCRIPTION	KB PART NO.	AM PART NO.
1	FOUR CIRCUIT PROTECTION VALVE - V	FCPVP06001	B13TM1000155
2	FOUR CIRCUIT PROTECTION VALVE	FCPVP06002	B13TM1000156
3	FOUR CIRCUIT PROTECTION VALVE	FCPVP10004	B13TM1000187
4	FOUR CIRCUIT PROTECTION VALVE	FCPVP08006	B13TM1000142
5	FOUR CIRCUIT PROTECTION VALVEVOSS	K128857	B13TM1000161
6	FOUR CIRCUIT PROTECTION VALVE	K000669	B13AL1004400
7	FOUR CIRCUIT PROTECTION VALVE	K026509	B13AL1005200
8	FOUR CIRCUIT PROTECTION VALVE-EG Function	K095595I	B13AL1001200
9	FOUR CIRCUIT PROTECTION VALVE	K045181	B13DI1000406
10	FOUR CIRCUIT PROTECTION VALVE-EG Function	K097772	B13DI1002306
11	FOUR CIRCUIT PROTECTION VALVE-EG Function	K103397	B13DI1002706
12	FOUR CIRCUIT PROTECTION VALVE	K098451	B13DI1000409

HAND BRAKE VALVE

SR. NO.	PART DESCRIPTION	KB PART NO.	AM PART NO.
1	HAND BRAKE VALVE	K047481	B13TM1000149
2	HAND BRAKE VALVE V Ver 1	HBVP06001	B13TM1000151
3	HAND BRAKE VALVE - V	HBVP06002	B13TM1000152
4	HAND BRAKE VALVE - M/V	K051582	B13TM1000153
5	HAND BRAKE VALVE - V	HBVP06004	B13TM1000154
6	HAND BRAKE VALVE	K091783	B13TM1000187
7	HAND BRAKE VALVE	K023651	B13AL1004800
8	HAND BRAKE VALVE	K045183	B13DI1000506
9	HAND BRAKE VALVE	K111580	B13DI1004306
10	HAND BRAKE VALVE	K107715	B13DI1004606
11	HAND BRAKE VALVE DPM 90	HBVP07009XBT (DPM 90)	B13TM1000102HBV
12	HAND BRAKE VALVE DPM 90 WITH TRAILOR CHECK	HBVP07008XBT (DPM 90)	B13TM1000120

FOOT BRAKE VALVE

SR. NO.	PART DESCRIPTION	KB PART NO.	AM PART NO.
1	FOOT BRAKE VALVE WITH PEDAL V	K002829	B13TM1000163
2	FOOT BRAKE VALVE PUSH ROD -V	K058280	B13TM1000116
3	FOOT BRAKE VALVE WITH PEDAL (Split)	K077659 (Split)	B13TM1000111
4	FOOT BRAKE VALVE WITH PEDAL (Mono)	K077659/IN	
5	FOOT BRAKE VALVE - V	K051186	B13TM1051186
6	FOOT BRAKE VALVE - V WITH SWITCHES ALL	K023828	B13AL1004700

SR. NO.	PART DESCRIPTION	KB PART NO.	AM PART NO.
7	FOOT BRAKE VALVE WITH PEDAL V	K099761	B13DI1000401
8	FOOT BRAKE VALVE WITH PEDAL V	K045182	B13DI1000105
9	FOOT BRAKE VALVE WITH PEDAL V	K067061	B13DI1000306
10	FOOT BRAKE VALVE WITH PEDAL V	K111647	B13DI1000205
11	FOOT BRAKE VALVE PUSH ROD -V	K046199	B13MN1000230

RELAY VALVE

SR. NO.	PART DESCRIPTION	KB PART NO.	AM PART NO.
1	RELAY VALVE - V	K003355	B13TM1000150
2	RELAY VALVE - V/M	RVP06001	B13TM1000113
3	RELAY VALVE - V/M	RVP06002	B13TM1000110
4	RELAY VALVE - M/M	RVP08002	B13TM1000158
5	RELAY VALVE - M	RVP08003	B13TM1000159
6	RELAY VALVE -WT	RVP09001	B13TM1000109
7	RELAY VALVE - PLUG	K039700	B13TM1000115
8	RELAY VALVE - PLUG	K057659	B13TM1000178
9	RELAY VALVE - V	K064766	B13TM1000123
10	RELAY VALVE - PLUG/VOSS	K092602	B13DI1001944
11	RELAY VALVE - VOSS/PLUG	K092603	B13DI1002044
12	RELAY VALVE - V	K058786	B13DI1000344
13	RELAY VALVE - V	RVP07007	B13AL1005300
14	RELAY VALVE - V	K036232	B13MN1000240N

SPRING BRAKE ACTUATOR

SR. NO.	PART DESCRIPTION	KB PART NO.	AM PART NO.
1	SPRING BRAKE ACTUATOR TY 24/24 M - LH	BZ6553	B13TM1000125
2	SPRING BRAKE ACTUATOR TY 24/24 M - RH	BZ7579	B13TM1000124
3	SPRING BRAKE ACTUATOR TY 24/24 V - RH	BZ7578	B13TM1000157
4	SPRING BRAKE ACTUATOR TY 24/24 V - LH	BZ6554	B13TM1000158
5	SPRING BRAKE ACTUATOR TY 20/24 M - LH	K013519	B13TM1000140
6	SPRING BRAKE ACTUATOR TY 20/24 (V+M) - RH	K013196	B13TM1000159
7	SPRING BRAKE ACTUATOR TY 20/24 (V+M) - LH	K013195	B13TM1000160
8	SPRING BRAKE ACTUATOR TY 20/24 M - RH	K013520	B13TM1000139
9	SPRING BRAKE ACTUATOR TY 24/24 M - M	SBAP07026	B13TM1000140A
10	SPRING BRAKE ACTUATOR TY 24/24 V STR	SBAP07016	B13TM1000136
11	SPRING BRAKE ACTUATOR TY 20/24 V/M STR	SBAP07025	B13TM1000110SBA
12	SPRING BRAKE ACTUATOR TY 24/24 V/M	SBAP07027	B13TM1000138
13	SPRING BRAKE ACTUATOR TY 30/30	SBAP07022	B13TM1000164

SR. NO.	PART DESCRIPTION	KB PART NO.	AM PART NO.
14	SPRING BRAKE ACTUATOR 24/24 -64MM	SBAP09005	B13TM1009005
15	SPRING BRAKE ACTUATOR TY 30	SBAP10003	B13TM1001003
16	SPRING BRAKE ACTUATOR TY 24/24 M/M	SBAP09010	B13TM1000208
17	SPRING BRAKE ACTUATOR TY 24/24- V-LH	SBAP06002	B13TM1006002
18	SPRING BRAKE ACTUATOR TY 24/24- V-RH	SBAP06001	B13TM1006001
19	SPRING BRAKE ACTUATOR TY 24/24 75	K026675	B13TM1006675
20	SPRING BRAKE ACTUATOR TY 24 V/V	K063837	B13TM1003837
21	SPRING BRAKE ACTUATOR TY 24/24 METRIC	K046556	B13TM1000271
22	SPRING BRAKE ACTUATOR TY 24/24 - 57 (M+V) 300MM S/O	K064282	B13TM1000125L
23	SPRING BRAKE ACTUATOR TY 24/24 - 75 (V+V) 275MM S/O	K078928	B13TM1000209
24	SPRING BRAKE ACTUATOR TY20/24 V	K072225	B13TM1002225
25	SPRING BRAKE ACTUATOR TY20/24	K127069	B13TM1000104
26	SPRING BRAKE ACTUATOR TY 24/24-57	K063043	B13DI1002224
27	SPRING BRAKE ACTUATOR TY 30/37 RH	K090942	B13DI1005724
28	SPRING BRAKE ACTUATOR TY 30/37 LH	K110815	B13DI1007624
29	SPRING BRAKE ACTUATOR TY24/24 - LH - 200MM	K097551	B13DI1005224
30	SPRING BRAKE ACTUATOR TY24/24 - RH - 200MM	K097552	B13DI1005324
31	SPRING BRAKE ACTUATOR 30/30 -72MM - RH	K027084	B13MN1000470N
32	SPRING BRAKE ACTUATOR 30/30 -72MM - LH	K027083	B13MN1000480N
33	SPRING BRAKE ACTUATOR TY 20/24 M - LH	K023741	B13AL1005100
34	SPRING BRAKE ACTUATOR TY 20/24 M - RH	K023740	B13AL1005200

QUICK RELEASE VALVE

SR. NO.	PART DESCRIPTION	KB PART NO.	AM PART NO.
1	QUICK RELAY VALVE - V/M	K013794	B13TM1000182
2	QUICK RELAY VALVE - V/M	K063316	B13TM1000252
3	QUICK RELAY VALVE	K069289	B13TM1000260
4	QUICK EXHAUST VALVE	K068510	B13DI1001106
5	QUICK RELAY VALVE	K070041	B13AL1005000
6	QUICK RELAY VALVE - V	K087212	B13MN1000030N
7	QUICK RELAY VALVE - V	K123981	B13IC1008479

BRAKE CHAMBER

SR. NO.	PART DESCRIPTION	KB PART NO.	AM PART NO.
1	BRAKE CHAMBER TY 24 M	K013526	B13TM1000101
2	BRAKE CHAMBER TY 20 M-RH	BX3432	B13TM1000102
3	BRAKE CHAMBER TY 20 M-LH	BX3431	B13TM1000103
4	BRAKE CHAMBER TY 30	K025395	B25TM1260116

SR. NO.	PART DESCRIPTION	KB PART NO.	AM PART NO.
5	BRAKE CHAMBER TY 24 M	K027037	B25TM1260161
6	BRAKE CHAMBER TY 16	K083072	B25TM1260162
7	BRAKE CHAMBER TY 24 -75	K070111	B25TM1260112
8	BRAKE CHAMBER TY 30 -75	K027085	B13MN1000320
9	BRAKE CHAMBER TY 30/37 RH	K090934	B13DI1005624
10	BRAKE CHAMBER TY 30/37 LH	K110821	B13DI1007524
11	BRAKE CHAMBER TY 24/57	K063042	B13DI1002124
12	BRAKE CHAMBER TY 20 M-LH	K023731	B13AL1004500
13	BRAKE CHAMBER TY 20 M-RH	K023732	B13AL1004600
14	BRAKE CHAMBER TY 24 175/75	K103492	B13TM1000492
15	BRAKE CHAMBER TY 30 175/75	K109030	B13TM1000030
16	BRAKE CHAMBER TY 24 225/75	K107945	B13TM1000945

PRESSURE LIMITING VALVE

SR. NO.	PART DESCRIPTION	KB PART NO.	AM PART NO.
1	PRESSURE LIMITING VALVE	K047143	B25TM1260113
2	PRESSURE LIMITING VALVE	K081565	B25TM1260102
3	PRESSURE LIMITING VALVE	K115686	B25TM1260686
4	PRESSURE LIMITING VALVE	K034347	B25TM1260166
5	PRESSURE LIMITING VALVE	K057397	B25AL1260400
6	PRESSURE LIMITING VALVE	K097498	B25MN1260460N
7	PRESSURE LIMITING VALVE	K086976	B25MN1260020N
8	PRESSURE LIMITING VALVE	K036230	B25MN1260310N
9	PRESSURE REDUCTION VALVE	K055528	B25DI1260308
10	PRESSURE REDUCTION VALVE	K099752	B25DI1260244
11	PRESSURE REDUCTION VALVE	K091822	B25DI1260144
12	PRESSURE LIMITING VALVE	K091822	B25E1260467

AUTOMATIC SLACK ADJUSTOR

SR. NO.	PART DESCRIPTION	KB PART NO.	AM PART NO.
1	ASA Closed Back	K078765	B14TM1000215
2	ASA 16mm RH	K012592	B14TM1000153
3	ASA 16mm LH	K012591	B14TM1000156
4	ASA 16mm RH CD 150	K049979	B14TM1000191
5	ASA 16mm LH CD 150	K049978	B14TM1000190

MANUAL SLACK ADJUSTER

SR. NO.	PART DESCRIPTION	KB PART NO.	AM PART NO.
1	MANUAL SLACK ADJUSTER FOR TATA HCV	K043917	K043917
2	MANUAL SLACK ADJUSTER FOR TATA LCV	K043918	K043918
3	MANUAL SLACK ADJUSTER FOR LEYLAND	K050034	K050034
4	MANUAL SLACK ADJUSTER FOR TATA HCV RR LH 1613 16MM	K043993	K043993
5	MANUAL SLACK ADJUSTER FOR TATA HCV RR RH 1613 16MM	K043994	K043994
6	MANUAL SLACK ADJUSTER FOR TATA LCV RR LH 709 16MM	K043995	K043995
7	MANUAL SLACK ADJUSTER FOR TATA LCV RR RH 709 16MM	K043996	K043996
8	SPARE KIT - MANUAL SLACK ADJUSTER	K063411	K063411

AUTOMATIC LOAD SENSING VALVE

SR. NO.	PART DESCRIPTION	KB PART NO.	AM PART NO.
1	LOAD SENSING VALVE WITH VOSS CONN.	K036489/IN	B25TM1260247
2	LOAD SENSING VALVE WITH VOSS CONN.	K036489/IN	B25TM1260247
3	LOAD SENSING VALVE WITH VOSS CONN.	K081625	B25TM1260202
4	LOAD SENSING VALVE WITH VOSS CONN.	K103533	B25DI1260113
5	LOAD SENSING VALVE WITH VOSS CONN.	K058739	B25DI1260108
6	LOAD SENSING VALVE WITH VOSS CONN.	K057039	B25AL1260300
7	LOAD SENSING VALVE WITH VOSS CONN.	K156212	B25MN1260040N
8	LOAD SENSING VALVE WITH VOSS CONN.	K088138	B25MN1260161N
9	LOAD SENSING VALVE WITH VOSS CONN.	K123976	B25IC12608469

LIFT AXLE CONTROL VALVE

SR. NO.	PART DESCRIPTION	KB PART NO.	AM PART NO.
1	LACV ASSEMBLY GEN II	K067500	B25TM1260201
2	LACV ASSEMBLY GEN II	K081535	B25TM1265039
3	LACV ASSEMBLY GEN II	K117107	B25TM1265107
4	LACV ASSEMBLY GEN II	K068103	B25DI1260208
5	LACV ASSEMBLY	K105572	B25AL1260200AL
6	LACV ASSEMBLY	K089060	B25MN1260051N
7	LACV ASSEMBLY	K124211	B25E112603779

PALM COUPLING

SR. NO.	PART DESCRIPTION	KB PART NO.	AM PART NO.
1	PALM COUPLING - CONTROL (TRACTOR SIDE)	K036229	B18MN1000290N

SR. NO.	PART DESCRIPTION	KB PART NO.	AM PART NO.
2	PALM COUPLING - SUPPLY (TRACTOR SIDE)	K036228	B18MN1000300N
3	PALM COUPLING - SUPPLY (TRACTOR SIDE)	PCP07002	B18TM1000118
4	PALM COUPLING - CONTROL(TRACTOR SIDE)	PCP07001	B18TM1000119
5	PALM COUPLING - SUPPLY (TRAILER SIDE)	K091924	B18TM1000128
6	PALM COUPLING - CONTROL (TRAILER SDE)	K091925	B18TM1000129
7	PALM COUPLING - SUPPLY (TRACTOR SIDE)	K115602	B18DI1000330
8	PALM COUPLING - CONTROL (TRACTOR SIDE)	K115603	B18DI1000230
9	PALM COUPLING - SUPPLY (TRAILER SIDE)	K115604	B18DI1000630
10	PALM COUPLING - CONTROL (TRAILER SIDE)	K115605	B18DI1000730

SOLENOID VALVE

SR. NO.	PART DESCRIPTION	KB PART NO.	AM PART NO.
1	SOLENOID VALVE 12V	EBSVP09002	B24TM1249903SV
2	SOLENOID VALVE 24V	EBSVP09003	B24TM1249901SV
3	SOLENOID VALVE 24V	EBSVP08001	B24MN1240010N
4	SOLENOID VALVE 24V	SLDVP10001	B24TM12497169SV
5	SOLENOID VALVE 24V	K082399	B24TM1249904SV

EXHAUST BRAKE VALVE

SR. NO.	PART DESCRIPTION	KB PART NO.	AM PART NO.
1	EXHAUST BRAKE VALVE	K109186	B13MN10001000
2	EXHAUST BRAKE VALVE	K14772	B13MN10000900
3	EXHAUST BRAKE VALVE V/4" OLD VERSION	K040587	B13MN10003300
4	EBV/4"	K076603	B13MN10000310N

INTEGRATED PEDAL UNIT

SR. NO.	PART DESCRIPTION	KB PART NO.	AM PART NO.
1	INTEGRATED PEDAL UNIT	K051239	-
2	INTEGRATED PEDAL UNIT	K063765	-

TRAILOR CONTROL VALVE

SR. NO.	PART DESCRIPTION	KB PART NO.	AM PART NO.
1	TRAILER CONTROL VALVE	TCVP08002	B18MN1000260N

ANTI LOCK BRAKING SYSTEM

SR. NO.	PART DESCRIPTION	KB PART NO.	AM PART NO.
1	ABS WHEEL SPEED SENSORS	ABSP07003	B24TM1249929
2	ABS SENSOR BUSH	1116774	B24TM1243403
3	GREASE PACK for ABS	1114525	B24TM1249902
4	ELECTRONIC CONTROL UNIT 12V	486107011	B24TM1247011
5	ELECTRONIC CONTROL UNIT 24V	0486107012N00	B24TM1249901
6	ELECTRONIC CONTROL UNIT 24V 4S3M	K066941	B24AL1249200
7	MODULATOR VALVE 12V	K017813N00	B24TM1240139
8	MODULATOR VALVE 24V	K048717	B24TM1240121
9	MODULATOR VALVE	K054614	B24DI1240606
10	ABS TRAILER MODULE	K004246	B24TM1244246
11	ABS6 POWER INTERFACE HARNESS (PIG TAIL)	3F0280030	B24TM1240106
12	ABS6 POWER INTERFACE HARNESS (PIG TAIL)	K109407	B24TM1249407
13	W/H FRAME ABS 4S3M ALL	K072530	B24AL1245700
14	CAB HARNESS ABS 4S3M ALL	K072516	B24AL1245600
15	W/H FRAME ABS LPS 4923TC/38	3F1280570	B24TM1240101
16	ANTI LOCK BRAKING SYSTEM-24V (POLE WHEEL: BIG/SMALL)	3K0000150	3K0000150
17	ANTI LOCK BRAKING SYSTEM-12V (POLE WHEEL: BIG/SMALL)	3K0000130	3K0000130
18	ANTI LOCK BRAKING SYSTEM-24V (POLE WHEEL: BIG/SMALL)	3K0000190	3K0000190
19	ANTI LOCK BRAKING SYSTEM-12V (POLE WHEEL: BIG/SMALL)	3K0000180	3K0000180

TRAILER - ANTI LOCK BRAKING SYSTEM

SR. NO.	PART DESCRIPTION	KB PART NO.	AM PART NO.
1	BRIC T-ABS (3 Axle Trailer Kit W/O RE6 & Air Tank)	K156234	-
2	BRIC T-ABS (2 Axle(20 feet)Trailer Kit W/O RE6 & Air Tank)	K156235	-
3	BRIC T-ABS (2 Axle LPG Tanker) W/O WSS Extention Cable	K156236	-
4	BRIC T-ABS W/O Hose Pipe	K156237	-

TRAILER - ANTI LOCK BRAKING SYSTEM

SR. NO.	PART DESCRIPTION	KB PART NO.	AM PART NO.
5	BRIC T-ABS (2 Axle LPG Tanker) With WSS Extention Cable	K156167	-
6	Tractor Kit (Horse Kit)	K155969	-
7	BRIC T-ABS (2 Axle Trailer Kit W/O RE6 & Air Tank)	K153873	-
8	BRIC T-ABS (3 Axle Trailer Kit W/O RE6 & Air Tank)	K153874	-
9	BRIC T-ABS (2 Axle LPG Tanker) W/O WSS Extention Cable	K153560	-
10	Advanced Trailer ABS KIT-- (With out Air Hose)	K148532	-

SPARE KIT

SR. NO.	PART DESCRIPTION	KB PART NO.	AM PART NO.
1	SPARE KIT (MAJOR) FOR BC TY 20 & SBA TY 20/24	2K000052	B12TM1000052
2	SPARE KIT (MINOR) FOR BC TY 20 & SBA TY 20/24	2K000053	B12TM1000053
3	SPARE KIT (MAJOR) FOR BC TY 24 & SBA TY 24/24 SERVICE SIDE	2K000054	B12TM1000054
4	SPARE KIT (MINOR) FOR BC TY 24 & SBA TY 24/24 SERVICE SIDE	2K000055	B12TM1000055
5	SPARE KIT (MAJOR) FOR SBA TY 24/24 & TY 20/24 PARKING SIDE	2K000056	B12TM1000056
6	SPARE KIT (MINOR) FOR SBA TY 24/24 & TY 20/24 PARKING SIDE	2K000057	B12TM1000057
7	SPARE KIT (MAJOR) FOR SBA TY 30	K118589	B12TM1008589
8	SPARE KIT (MINOR) FOR SBA TY 30	K118590	B12TM1008590
9	SPARE KIT (MAJOR) FOR FOOT BRAKE VALVE	2K000058	B12TM1000058
10	SPARE KIT (MINOR) FOR FOOT BRAKE VALVE	2K000059	B12TM1000059
11	SPARE KIT (MAJOR) FOR HAND BRAKE VALVE	2K000060	B12TM1000060
12	SPARE KIT (MINOR) FOR HAND BRAKE VALVE	2K000061	B12TM1000061
13	SPARE KIT (MAJOR) FOR FOUR CIRCUIT PROTECTION VALVE	2K000062	B12TM1000062
14	SPARE KIT (MINOR) FOR FOUR CIRCUIT PROTECTION VALVE	2K000063	B12TM1000063
15	SPARE KIT (MAJOR) FOR RELAY VALVE	2K000064	B12TM1000064
16	SPARE KIT (MAJOR) FOR AIR DRYER	2K000065	B12TM1000065
17	SPARE KIT FOR PLV	2K000088	B12TM1000088
18	TOP COVER FOR SBA TY 20/24	K027035	B12TM1000091
19	CLAMP RING KIT - TY 20 FOR BC/SBA	2K0000850	B12TM1000850
20	CLAMP RING KIT - TY 24 FOR BC/SBA	2K0000860	B12TM1000860

SR. NO.	PART DESCRIPTION	KB PART NO.	AM PART NO.
21	SPARE KIT FOR ASA	K050916	B12TM1000916
22	SPARE KIT FOR SBA RELEASE BOLT	2K0001050	B12TM1001050
23	SPARE KIT UNLOADER VALVE - AD	2K0001120	B12TM1001120
24	SPARE KIT AIR DRYER	2K0001130	B12TM1001130
25	SPARE KIT FOR ALSV (JAMMING)	K091856	B12TM1001856
26	SPARE KIT FOR ALSV (LEAKAGE)	K091857	B12TM1001857
27	TOP COVER FOR BC TY 20	K013701	B12TM1003701
28	TOP COVER FOR BC TY 24	K027042	B12TM1007042
29	TOP COVER FOR SBA TY 24/24	K027082	B12TM1007052
30	AIR DRYER LA85 SPARE KIT	K067157	B12TM1007157
31	PUSHER ASSEMBLY FOR SBA	K057419	B12TM1007419
32	REFERENCE ARM ASEMBLY FOR ASA	K109718	B12TM1009718
33	SPARE KIT ALSV RUBBER LINK	K057803	B12TM1007803
34	SPARE KIT FOR QRV	K107513	B12TM1007513

LOOSE PARTS

SR. NO.	PART DESCRIPTION	KB PART NO.	AM PART NO.
1	AIR DRYER CARTRIDGE	K010414N50	B16TM1000414
2	AIR DRYER CARTRIDGE FOR MNAL IMP 10 BAR	II17793	B16MN1000793
3	AIR DRYER CARTRIDGE OSC	K039454	B16TM1000454
4	INTERMEDIATE FLANGE - SBA TY 24/24 M-M	Z0117211	B15TM1007211
5	INTERMEDIATE FLANGE SBA TY 2424 V-V	Z0117212/IN	B15TM1007212
6	INTERMEDIATE FLANGE SBA TY 20/24 M-M	Z0117231/IN	B15TM1007231
7	INTERMEDIATE FLANGE SBA TY 20/24 V-M	Z0117232/IN	B15TM1007232
8	BIG PISTON FOR SBA TY 24	K026643	B15TM1006569
9	REAR BODY SBA TY 24	2G1120100	B15TM1000100
10	LOW PRESSURE SWITCH	K069896	B15MN1000010NLP
11	STOP LIGHT SWITCH	K069895	B15MN1000010NSL
12	PRESSURE SENSOR	K054613	B24DI1240718
13	LP PRESSURE SWITCH	K069896	B24DI1240805
14	IPU PRESSURE SENSOR ALL	K064921	B24AL1244921

APPLICATION CHART - TATA MOTORS

DESCRIPTION	KB PART NO.	AM PART NO.	LP 407/34 WB	709 Cowl 34 WB	LP 712 34 WB	LP 712 TMMML 38 WB	LP 909 TMMML 49WB	LP 912 COWL 49 WB	LPT 1109 42WB	LPT 1109 48WB
AIR BRAKES COMPONENTS										
AIR COMPRESSOR 225CC	K071827	B30TM1001819								
AIR COMPRESSOR 225CC	K071842	B30TM1006001								
AIR DRYER	K014963	B13TM1000169								
AIR DRYER	K035983	B13TM1000143								
AIR DRYER	K015634	B13TM1000169								
AIR DRYER	K053174	-								
AIR DRYER 9 BAR	K045335	B13TM1000141								
AIR DRYER (9.1 BAR WITH OSC)	K095813	B13TM0700118								
AIR DRYER (8 BAR WITH OSC)	K095811	B13TM0700165								
AIR PROCESSING UUNIT	K034367	B13TM0700109								
FOUR CIRCUIT PROTECTION VALVE	FCPVP06001	B13TM1000155								
FOUR CIRCUIT PROTECTION VALVE (9.1BAR)	FCPVP08006	B13TM1000142								
FCPV(EG FUNCTION)	FCPV10004	B13TM1000187								
FOUR CIRCUIT PROTECTION VALVE	K107941	-								
FOUR CIRCUIT PROTECTION VALVE	K128857	B13TM1000161								
HAND BRAKE VALVE	HBVP06001	B13TM1000151								
HAND BRAKE VALVE	HBVP06002	B13TM1000152								
HAND BRAKE VALVE	K051582	B13TM1000153								
HAND BRAKE VALVE	HBVP06004	B13TM1000154								
HAND BRAKE VALVE DPM 90	HBVP07008	B13TM1000120								
HAND BRAKE VALVE	HBVP07009	B13TM1000102HBV								
HAND BRAKE VALVE (DOUBLE LOCK)	K091783	B13TM1000187								
FOOT BRAKE VALVE	K051186	B13TM1000118								
FOOT BRAKE VALVE (PUSH ROD)	K058280	B13TM1000116								
FOOT BRAKE VALVE	K077659	B13TM1000111								
FOOT BRAKE VALVE	K092629	-								
FOOT BRAKE VALVE	K002829	B13TM1000163								
FOOT BRAKE VALVE	K096080	-								
REALY VALVE 150 VOSS	K003355	B13TM1000150								
REALY VALVE	K057659	B13TM1000178								
REALY VALVE	K064766	B13TM1000123								
REALY VALVE VOSS 113	RVP06001	B13TM1000113								
REALY VALVE PLUG	RVP06002	B13TM1000110								
REALY VALVE	RVP08002	B13TM1000158RV								
REALY VALVE	RVP08003	B13TM1000159RV								
REALY VALVE	K039700	B13TM1000115								
REALY VALVE	K045372	-								
RELAY VALVE FOR WT TML	RVP09001	B13TM1000115								
ANTI COMPOUNDING RELAY VALVE	ACRVP07001	B13TM1000175								
QUICK RELEASE VALVE	K010352	-								
QUICK RELEASE VALVE	K013794	B13TM1000182								
QUICK RELEASE VALVE	K063316	B13TM1000252								
BRAKE CHEMBER TY 16	K083072	B25TM1260162								
BRAKE CHAMBER TYPE 20 LH	BX3431	B13TM1000103								
BRAKE CHAMBER TYPE 20 RH	BX3432	B13TM1000102								
BRAKE CHAMBER 24 WITH ADAPTOR	K013526	B13TM1000101								
BRAKE CHAMBERTYPE 30	K025395	B25TM1260138								
BC TY 24 X 75 FOR BETA PROTO	K027037	B25TM1260161								
BRAKE CHAMBER TY30-75	BCP10011	-								
BC TY 24 -75	K070111	B25TM1260112								
SBA T24-75 275MM STANDOUT LOCAL	K078928	B13TM1000209								
SBA24/24VRH	SBAP06001	B13TM1006001								
SBA24/24VLH	SBAP06002	B13TM1006002								
SBA 20/24	SBAP07025	B13TM1006110SBA								
SBA 24-24 METRIC METRIC	SBAP07026	B13TM1000140A								
SBA 24"/24"-57 (VOSS-METRIC FITTINGS)	SBAP07027	B13TM1000138								

APPLICATION CHART - TATA MOTORS

DESCRIPTION	KB PART NO.	AM PART NO.	LP 407/34 WB	709 Cowl 34 WB	LP 712 34 WB	LP 712 TMMML 38 WB	LP 909 TMMML 49WB	LP 912 COWL 49 WB	LPT 1109 42WB	LPT 1109 48WB
AIR BRAKES COMPONENTS										
SPRING BRAKE ACTUATOR STRAIGHT	SBAP07016	B13TM1000136								
SBA 20/24	K072225	B13TM1002225								
SBA 24/24 V-V	K063837	B13TM1003837								
ASA STR	K012587	B14TM1000159								
ASA 140LH	K012591	B14TM1000156								
ASA 140RH	K012592	B14TM1000153								
ASA STRAIGHT CLOSED BACK	K078765	B14TM1000215								
ASA 150 LH	K049978	B14TM1000190								
ASA-150 RH	K049979	B14TM1000191								
PALM COUPLING - SUPPLY - TML (TRACTOR SIDE)	PCP07002	B18TM1000118								
PALM COUPLING - CONTROL - TML (TRACTOR SIDE)	PCP07001	B18TM1000119								
PALM COUPLING - SUPPLY - TML (TRAILOR SIDE)	K091924	B18TM1000128								
PALM COUPLING - CONTROL - TML (TRAILOR SDE)	K091925	B18TM1000129								
TRAILOR CONTROL VALVE	TCVP07001	-								
SOLENOID VALVE 24 VOLT	K082399	-								
SOLENOID VALVE ASSEMBLY 12V	EBSVP09002	B24TM1249903SV								
SOLENOID VALVE ASSEMBLY 24V	EBSVP09003	B24TM1249901SV								
NRV	SCVP07002	-								
3 X VALVE MODULE	SLDVP10001	B24TM12497169SV								
PRESSURE LIMITING VALVE	PLVP07004									
LIFT AXLE SYSTEM COMPONENTS										
PRESSURE LIMITING VALVE Gen-2	K047143	B25TM1260113								
PRESSURE LIMITING VALVE 3723	K081565	B25TM1260102								
PRESSURE LIMITING VALVE (New Version)	K115686	B25TM1260686								
ALSV (New Version)	K036489	B25TM1260247								
ALSV WITHOUT RELAY FOR LIFT AXLE	K036489	B25TM1260247								
ALSV WITHOUT RELAY FOR LIFT AXLE 3723	K081625	B25TM1260202								
LACV Gen 2	K067500	B25TM1260201								
LACV 3723	K081535	B25TM1265039								
LACV (PH 3)	K117107	B25TM1265107								
Voss Adaptors M12 X Ng12	K082269	-								
QRV Gen-2	K069289	B13TM1000260								
ABS COMPONENTS										
ECU 4S4M 12 VOLT BLACK	K114566	-	1	1	1	1	1	1	1	1
ECU 4S3M 24 VOLT BLACK	K111471	-								
MODULATOR VALVE	ABSP06004	-								
MODULATOR VALVE	ABSP06005	-								
MODULATOR VALVE	K045409	-								
MODULATOR VALVE	K045550	-								
MODULATOR VALVE (VOSS) 12V	ABSP07001	-	2	2	2	2	2	2	2	2
MODULATOR VALVE, ABS (12V)	ABSP07002	-	1	1	1	1	1	1	1	1
MODULATOR VALVE	K129385	-								
SENSOR WHEEL SPEED	ABSP07003	-	4	4	4	4	4	4	4	4
ABS SENSOR GREAS	1114525	B24TM1249902	2	2	2	2	2	2	2	2
SENSOR BUSH	1116774	B24TM1243403	4	4	4	4	4	4	4	4

APPLICATION CHART - ASHOK LEYLAND

DESCRIPTION	KB PART NO.	AM PART NO.	EAGLE BUS 8T	1616 CT	1616XL	1618IL	1618XP T	2516T IL	2518T XP	2518T IL	3518IL BS 3	3518 Caption	4023 BS 3	CT4019IL	U3518 IL TT	U3519 TT	U 4019 IL TT	U 4923 TT	4923 BS 3	3118IL LA	3718IL LA	3723 H LA	
AIR COMPRESSOR 225CC	K050139	B30AL1005010												1									
AIR COMPRESSOR 360CC	K031860	B13AL100711																1					
AIR DRYER	K023915	B13AL1004200		1	1	1	1	1	1	1	1		1	1	1			1	1	1			
AIR DRYER WITH HEATOR	K023913	B13AL1007400																					
AIR DRYER	K113734	B0F08119	1									1				1							
FOUR CIRCUIT PROTECTION VALVE	K000669	B13AL1004400		1	1	1	1	1	1	1	1	1	1	1	1		1	1	1				
FOUR CIRCUIT PROTECTION VALVE	K095595I	B13AL1001200	1																				
HAND BRAKE VALVE	K023651	B13AL1004800		1																			
FOOT BRAKE VALVE	K023828	B13AL1004700		1																			
EXHAUST BRAKE VALVE	K040587	B13MN10003300												1			1	1		1	1	1	1
PURGE TANK	2A000052	-		1																			
INTEGRATED PEDAL UNIT	K051239	-											1										
PRESSURE LIMITING VALVE	K057397	B25AL1260400																	1	1	1	1	1
LOAD SENSING VALVE	K057039	B25AL1260400																	1	1	1	1	1
LIFT AXLE CONTROL VALVE	K105572	B25AL1260200AL																	1	1	1	1	1
QUICK RELEASE VALVE	K070041	B13AL1005000																	1	1	1	1	1
4S4M ECU	0486107012N00	-																					
4S3M ECU	K066941	B24AL1249200	1									1		1									
MODULATOR VALVE	ABSP06004	-									2	2	2										
4S3M MODULATOR VALVE	P3F0064	-	4								2	2	2										
WHEEL SPEED SENSOR	ABSP07008	B24TM1249929									4	4	4										
4S3M FRAME HARNESS	K072530	-	4								1	1	1										
4S3M CAB HARNESS	K072516	-									1	1	1										
CALMPING SLEEVE	II16774	B24TM1243403	4									4	4										
POLE WHEEL REAR	3F206057	-	2																				
POLE WHEEL FRONT	3F206058	-	2								1	1	1										
ABS ECU COVER	3F0280540	-	1								2	2	2										
4S3M GROMMET	K071437	-																					

APPLICATION CHART - BHARATBENZ

DESCRIPTION	KB PART NO	AM PART NO	914R	914 BUS	1214R	1217R	1613C	1617R	1623R	2523C
AIR DRYER	K045180	B13DI1000115	1		1	1		1		
AIR PROCESSING UNIT WITH OSC	K091090	B13DI1000915								
FOUR CIRCUIT PROTECTION VALVE	K045181	B13DI1000406	1		1			1		
FCPV EG FUNCTION-DICV	K097772	B13DI1002306								
FOUR CIRCUIT PROTECTION VALVE-NEW	K098451	B13DI1000409								
FOOT BRAKE VALVE WITH 24V SENSOR	K067061	B13DI1000306	1	1	1	1				
FOOT BRAKE VALVE - DICV	K067061	B13DI1000306								
FOOT BRAKE VALVE	K045182	B13DI1000105								
HAND BRAKE VALVE	K045183	B13DI1000506	1		1			1		1
HAND BRAKE VALVE NEW-DICV	K111580	B13DI1004306							1	
RELAY VALVE	K058786	B13DI1000344	1	1		1		1		
RELAY VALVE-RH	K092603	B13DI1002044								
RELAY VALVE-LH	K092602	B13DI1001944								
ANTI-COMPOUNDING RELAY VALVE	K091823									
RELAY VALVE	K098822									
ANTI-COMPAUNDING RELAY VALVE	K091823									
ANTI-ROLLBACK SYSTEM	K098822									
BRAKE CHAMBER T24/57	K063042	B13DI1002124								
BRAKE CHAMBER T30 RH	K090934	B13DI1005624								
BRAKE CHAMBER T30 LH	K110821	B13DI1007524								
SBA 24/24/57	K063043	B13DI1002224						2		
SBA 24/24/200 RH	K097552	B13DI1005324								
SBA 24/24/200 LH	K097551	B13DI1005224								
SBA T30/30 Front RH	K090942	B13DI1005724								
SBA T30/30 Front LH	K110815	B13DI1007624								
AIR PRESSURE SENSOR - 5V	K054613	B24DI1240718						1	1	1
PRESSURE LIMITING VALVE 8 bar M	K091822	B25DI1260144								
PRESSURE LIMITING VALVE 8 bar V	K099752	B25DI1260244								
PRESSURE LIMITING VALVE 6 bar	K055528	B25DI1260308								
LOAD SENSING VALVE	K058739	B25DI1260108								
LIFT AXLE CONTROL VALVE	K068103	B25DI1260208								
QUICK RELEASE VALVE	K068510	B13DI1001106								
PURGE TANK 3.4 L	2A000052									
COUPLING HEAD RED	K115602	B18DI1000330								
COUPLING HEAD YELLOW	K115603	B18DI1000230								
COUPLING HEAD RED TRAILOR SIDE	K115604	B18DI1000630								
COUPLING HEAD YELLOW TRAILOR SIDE	K115605	B18DI1000730								

APPLICATION CHART - MAHINDRA TRUCKS & BUSES

S.No	DESCRIPTION	KB PART NO.	AM PART NO.															MN25	MN25 TIPPER	MN 31	MN 31 TIPPER	MN 37	MN 35	MN 40										
1	AIR PROCESSING UNIT	K017466	B13MN1000380N																					1	1									
2	FOOT BRAKE VALVE	K046199	B13MN1000230																					1	1									
3	RELAY VALVE	K036232	B13MN1000240N																					1	1									
4	PRESSURE LIMITING VALVE (8 BAR)	K036230	B25MN1260310N																				1	1	1									
5	TRAILER CONTROL VALVE	TCVP08002	B18MN1000260N																					1	1									
6	ANTI-COMPOUNDING RELAY VALVE	K050295	-																					1	1									
7	SOLENOID VALVE	EBSVP08001	B24MN1240010N																					1	1									
8	EXHAUST BRAKE VALVE	K072223	-																					1	1									
9	EXHAUST BRAKE VALVE (NEW)	K076603	B13MN10000310N																					1	1									
10	PALM COUPLING(YELLOW)	K036229	B18MN1000290N																					1	1									
11	PALM COUPLING(RED)	K036228	B18MN1000300N																					1	1									
12	BRAKE CHAMBER-TY 30	K027085	B13MN1000320																					1	1									
13	SBA-TY 30/30 LH	K027083	B13MN1000480N																					1	1									
14	SBA-TY 30/30 RH	K027084	B13MN1000470N																					1	1									
LIFT AXLE SYSTEM																																		
15	LOAD SENSING VALVE	K088138	B25MN1260161N																						1									
16	LIFT AXLE CONTROL VALVE	K089060	B25MN1260051N																						1									
17	PRESSURE LIMITING VALVE (4 Bar)	K097498	B25MN1260460N																						2									
18	PRESSURE LIMITING VALVE (6.6 Bar)	K086976	B25MN1260020N																						1									
19	QUICK RELEASE VALVE	K087212	B13MN1000030N																						1									
20	RELAY VALVE WITH EXHAUST DELAY	K107469	-																						1									
LIFT AXLE SYSTEM																																		
21	ELECTRONIC CONTROL UNIT 24V	0486107012N00	-																						1	1								
22	MODULATOR VALVE	ABSP08004	-																						4	4								
23	ABS SENSOR STRAIGHT	0486001064/IN	-																						4	4								
24	SENSOR BUSH	II16774	B24TM1243403																						4	4								
25	ABS SENSOR GREASE	II14525/INa	B24TM1249902																						1	1								
26	WIRING HARNESS ABS CHASSIS	K092639	7905FAU00032N																						1	1								



MAINTENANCE SCHEDULE

	MAINTENANCE OPERATION	PDI	DAILY	WEEKLY	EVERY 1000 KM	REMARK
X	AIR BRAKE SYSTEM - GENERAL					
1	Check foot brake operation, Adjust stopper bolt to ensure full line pressure at the brake chambers	●				
2	Operate hand brake - check brake application & release during ON & OFF condition	●	●			
3	Operate foot brake - check service brakes for proper functioning. Rectify if any leakage		●			
4	Check compressed air is building up to cut off pressure as mentioned in specification		●			
5	Check air brake system, pipes/connectors for damages / leaks and replace or rectify if found defective				9	
6	check oil carry over through air compressor in pipes and compressor output				36	

AIR BRAKE SYSTEM - AGGREGATES

A	AIR RESERVOIRS					
1	Drain condensed water in Reservoirs	●	●			
2	Check reservoirs mounting, pipe clamps and tighten if necessary				36	
3	Check drain valve and replace if required				72	

B	AIR DRYER					
1	Check at exhaust-if excess oil is observed - check compressor for proper functioning				9	
2	Check unloader valve pressure setting and adjust if required				36	
3	Check purge tank & its piping connections, Rectify if leakage/chocking observed				18	36,000 KMs or 3 months whichever is earlier

	MAINTENANCE OPERATION	PDI	DAILY	WEEKLY	EVERY 1000 KM	REMARK
--	-----------------------	-----	-------	--------	---------------	--------

B AIR DRYER						
4	Remove cartridge & inspect inside air dryer assembly & cartridge. Replace cartridge if excessive oil / foam is observed.				200	200,000 KMs or 2 years whichever is earlier
5	Dismantle air dryer assembly, clean & inspect internal parts. Replace defective parts. Replace desiccant cartridge. (Refer Service Manual for instructions)				300	300,000 KMs or 3 years whichever is earlier

C FOUR CIRCUIT PROTECTION VALVE						
1	Check - with full pressures in reservoirs, slowly leak out any one circuit to Zero. Pressure in other circuit should fall to certain value then stabilize. Repeat this test for other circuits. If necessary check circuits for leakages or rectify 4CP Valve				72	72,000 KMs or 1 year whichever is earlier
2	Dismantle valve assembly, clean & inspect internal parts. Replace defective parts (Refer Service Manual for instructions)				300	300,000 KMs or 3 years whichever is earlier

D FOOT BRAKE VALVE						
1	Check for free movement of pin in pedal/push rod joint	●			9	
2	Lubricate joints / pedal pivots / push rod pins				18	
3	Check condition of rubber boots/exhaust flaps and replace/rectify if required				36	
4	Dismantle valve assembly, clean & inspect internal parts. Replace defective parts (Refer Service Manual for instructions)				300	300,000 KMs or 3 years whichever is earlier

E HAND BRAKE VALVE						
1	Check proper functioning - Lever locks when parking brakes `ON' only	●			9	
2	Check rubber boot is in good condition and replace if required				36	
3	Dismantle valve assembly, clean & inspect internal parts. Replace defective parts (Refer Service Manual for instructions)				300	300,000 KMs or 3 years whichever is earlier

F BRAKE CHAMBERS						
1	Lubricate push rod - yoke pin joints				9	
2	Check the travel of push rod and adjust clearance between liner & drum - if required	●			9	

	MAINTENANCE OPERATION	PDI	DAILY	WEEKLY	EVERY 1000 KM	REMARK
--	-----------------------	-----	-------	--------	---------------	--------

F	BRAKE CHAMBERS					
3	Check tightness of clamp ring bolt and mounting bolts				36	
4	Check vent hole is open. Remove dust/mud & clean hole				36	
5	Dismantle chamber assembly, clean & inspect internal parts. Replace defective parts (Refer Service Manual for instructions)				300	300,000 KMs or 3 years whichever is earlier

G	SPRING BRAKE ACTUATORS					
1	Lubricate push rod - yoke pin joints				9	
2	Check the travel of push rod and adjust clearance between liner & drum - if required	●			9	
3	Check tightness of clamp ring bolt and mounting bolts				36	
4	Check vent hole is open. Remove dust/mud & clean hole				36	
5	Dismantle chamber assembly, clean & inspect internal parts. Replace defective parts (Refer Service Manual for instructions)				300	300,000 KMs or 3 years whichever is earlier

H	RELAY VALVE					
1	Check for uniform application & exhaust by applying & releasing brakes				18	
2	Dismantle valve assembly, clean & inspect internal parts. Replace defective parts. (Refer Service Manual for instructions)				300	300,000 KMs or 3 years whichever is earlier

I	QUICK RELEASE VALVE					
1	Check for uniform exhaust by applying & releasing brakes				18	
2	Dismantle valve assembly, clean & inspect internal parts. Replace defective parts. (Refer Service Manual for instructions)				300	300,000 KMs or 3 years whichever is earlier

J	AUTOMATIC SLACK ADJUSTER					
1	Lubricate S-cam shaft					
2	Check for looseness or excessive play between mating parts. Rectify if necessary				36	
3	Lubricate ASA until clean lubricant flows from gaps of side cover gaskets				9	

	MAINTENANCE OPERATION	PDI	DAILY	WEEKLY	EVERY 1000 KM	REMARK
--	-----------------------	-----	-------	--------	---------------	--------

J	AUTOMATIC SLACK ADJUSTER					
---	--------------------------	--	--	--	--	--

4	Preset gap between brake lining & drum. Ensure free rotation of wheels					Every lining replacements & Hub greasing
5	Visually check ASA & related components for any broken or missing parts				72	300,000 KMs or 3 years whichever is earlier
6	Dismantle assembly, clean & inspect internal parts. (Replace defective parts)				300	

K	PRESSURE LIMITING VALVE					
---	-------------------------	--	--	--	--	--

1	Check air leakage from Pneumatic connections				20	
2	Check the Inlet & delivery pressure				72	72,000 KMs or 1 year whichever is earlier
2	Dismantle valve assembly, clean & inspect internal parts. Replace defective parts. (Refer Service Manual for instructions)				300	300,000 KMs or 3 years whichever is earlier

K	PRESSURE LIMITING VALVE					
---	-------------------------	--	--	--	--	--

1	Check air leakage from Pneumatic connections				20	
2	Check the Inlet & delivery pressure				72	72,000 KMs or 1 year whichever is earlier
2	Dismantle valve assembly, clean & inspect internal parts. Replace defective parts. (Refer Service Manual for instructions)				300	300,000 KMs or 3 years whichever is earlier

L	LOAD SENSING VALVE					
---	--------------------	--	--	--	--	--

1	Check air leakage from Pneumatic connections				20	
2	Check the Inlet & delivery pressure as per specification				72	72,000 KMs or 1 year whichever is earlier
3	Inspect the setting & travel of link rod				20	
4	Check the any air leakage from valve				20	
5	Dismantle valve assembly, clean & inspect internal parts. Replace defective parts. (Refer Service Manual for instructions)				72	72,000 KMs or 1 year whichever is earlier

M	LIFT AXLE CONTROL VALVE					
---	-------------------------	--	--	--	--	--

1	Check air leakage from Pneumatic connections				20	
---	--	--	--	--	----	--

	MAINTENANCE OPERATION	PDI	DAILY	WEEKLY	EVERY 1000 KM	REMARK
M	LIFT AXLE CONTROL VALVE					
2	Check the Resistance of Solinoid coil as per specification				20	
3	Check the electric connection				20	
4	Dismantle valve assembly, clean & inspect internal parts. Replace defective parts. (Refer Service Manual for instructions)				300	300,000 KMs or 3 years whichever is earlier



TROUBLE SHOOTING

1. PROBLEM: AIR IS NOT BUILDING UP IN BOTH THE GAUGES

1.1	Hose, pipes & fittings	Leak in circuit between compressor delivery and system protection valve inlet.	Check lines & all joints. Rectify/replace hose assy if damaged.
1.2	Four Circuit Protection Valve	Heavy external leak from the valve assembly.	Overhaul assembly

2. PROBLEM: DELAY IN BUILDING UP SYSTEM PRESSURE

1.2	Hose, pipes & fittings	As per 1.1	
1.3	Four Circuit Protection Valve	External leak from the valve assembly.	Overhaul assembly

3. PROBLEM: AIR IS BUILDING UP IN ONE GAUGE ONLY

3.1	Four Circuit Protection Valve	Leak through element 21 or 22. Valve not functioning.	Overhaul assembly
3.2	Foot brake valve/Relay valve	Leak through exhaust or unused ports not plugged.	Overhaul assembly*. Plug unused ports left open.
3.3	Air gauge	Defective air gauge	Replace defective air gauge

4. PROBLEM: AIR IS NOT BUILDING UP MORE THAN 6.0 BAR WHILE RUNNING OR AIR DROPS DOWN TO 4.5 BAR WHEN VEHICLE IS PARKED

4.1	Hand brake valve/Relay valve	Leak through exhaust.	Overhaul assembly
4.2	Four Circuit Protection Valve	Leak through FCPV element 23 or 24.	Overhaul assy
4.3	Spring Brake Actuators	Internal Leakage - check through SBA service port (with pipelines disconnected and Hand brake released condition) indicates seal ring/main seal defect	Identify the defective assy and overhaul.
4.4	Hose, pipes & fittings	Leak in 23 and 24 circuit lines	Check pipe lines & all joints. Rectify/replace hose assy if damaged

5. PROBLEM: PRESSURE DROPS DOWN TO ZERO WHEN VEHICLE IS PARKED

5.1	Dual brake valve Relay valve - if fitted.	Leak through exhaust.	Overhaul assy
		Leakage from FCPV delivery line circuits with internal in Four Circuit Protection Valve assembly.	
5.2	Hose, pipes & fittings		Identify and rectify the leaky joints. Replace hose assy. If damaged. Check FCPV for internal leak and overhaul assy. if defective
5.3	Four Circuit Protection Valve		Overhaul assy

6. PROBLEM: BRAKE BINDING. (REAR BRAKES ONLY)

6.1	Hand Brake Valve.	Leak through exhaust or less delivery pressure.	Overhaul assy. Ensure shimming/setting to get correct pressure
6.2	Spring Brake Actuators	As per 4.3	
6.3	Four Circuit Protection Valve	Hand brake element in FCPV not functioning.	Overhaul assembly
6.4	Slack adjusters	Leakage between HBV delivery & SBA port circuit	Check pipe lines & all joints. Rectify/replace hose assy if damaged
6.5	Foundation brakes	Misalignment between Spring Brake Actuator/Brake Chamber and slack adjusters	Reset if required
		Excess clearance between Drum and Brake lining	
		Defective shoe return spring.	Replace the shoe return spring
6.6	Hose, pipes & fittings	Choked or kinked in pipe lines/hose. Blockage in pipes/fittings at dual brake valve delivery lines.	Replace defective pipes and hose assy Clean pipe / fittings

TROUBLESHOOTING TIPS FOR DUAL FULL AIR BRAKE SYSTEMS AND METHODS TO IDENTIFY LEAKAGES :**7. PROBLEM: BRAKE BINDING - BOTH FRONT & REAR BRAKES**

		No free play between brake pedal and the valve.	Set correct free play
7.1	Foot Brake Valve (FBV)	Sticky movement of FBV piston.	Overhaul assembly
		Sticky movement of Brake Pedal	

TROUBLESHOOTING TIPS FOR DUAL FULL AIR BRAKE SYSTEMS AND METHODS TO IDENTIFY LEAKAGES :

8. PROBLEM: POOR BRAKE / WHEEL ROLLING

		Excess clearance between drum and brake lining.	Adjust the bakes
8.1	Foundation brakes	Glazy lining / brake drum.	
		Excess drum ovality.	Rectify or replace as per recommendation
			Rectify or replace as per recommendation
8.2	Brake chambers and spring brake actuators	Leakage through diaphragm	Replace diaphragm
		Leakage through clamp ring joint.	Tighten clamp ring bolt
		Wrong setting of push rod fork st and out.	Set to correct dimension
		Sticky operation of valve.	Sticky operation of valve. Overhaul the assy
8.3	Foot Brake Valve - or Relay Valve - if fitted	Dual brake valve not operated to full travel.	Check and rectify pedal travel
8.4	System pressure	System pressure not maintained.	Adjust/rectify to correct system pressure

9. PROBLEM: VEHICLE PULLING TO ONE SIDE WHILE APPLYING BRAKES

		1. ASA improperly installed. Too close to actuator: Brakes can't fully release	1. Correct ASA installation.
		2. Spring brakes not fully retracting.	2. Check spring brake release air pressure and repair or replace air valves as necessary. Repair or replace spring brake
9.1	Brakes Dragging - apparent over - adjustment of brakes	3. Worn or broken foundation brake components including camshaft bushings.	3. Repair or replace worn or broken components
		4. Vehicle brake torque imbalance (More work done by some brakes than others, thermal expansion of drums)	4. Check other brakes to ensure they are working. Check air pressure balance. Use same friction material on all axles.
		5. Brake drum out-of-round, excessive thermal expansion.	5. Replace or repair as required.
		6. Air system malfunction, not exhausting completely.	6. Inspect and correct air brake system
		7. New lining swells during break-in	7. Back-off adjustment until brakes are free.

9. PROBLEM: VEHICLE PULLING TO ONE SIDE WHILE APPLYING BRAKES

		1. Damaged (worn) splines on ASA or camshaft.	1. Replace worn parts.
		2. Weak or broken brake actuator return springs.	2. Replace weak or broken springs.
		3. Weak or broken brake shoe return springs	3. Replace weak or broken springs.
9.2	Brake Actuator stroke is too long	4. Worn or broken foundation brake components including camshaft bushings, chamber bracket	4. Repair or replace weak or broken components.

9.PROBLEM: VEHICLE PULLING TO ONE SIDE WHILE APPLYING BRAKES

		5. Brake drum - worn, excessively machined, bell mouthed, excessive thermal expansion.	5. Replace or repair as required.
		6. ASA adjuster mechanism not functioning.	6. Lubricate & conduct service inspection. Repair or replace as necessary
		7. ASA improperly installed	7. Correct ASA installation
		8. Damaged ASA	8. Replace component(s) or ASA
		1. Loose or broken anchor bracket/ reference arm	1. Tighten or fit new fasteners.
9.2	Poor Braking	2. ASA adjuster mechanism not functioning	2. Lubricate & conduct service inspection. Repair or replace as necessary.
		3. ASA improperly installed.	3. Correct ASA installation
		4. Damaged ASA.	4. Replace component(s) or ASA
9.3		Brake chambers and spring brake actuators	Pushrod sticky operation, diaphragm leak.
			Difference in type (Size) of actuators between RH and LH brakes.
9.4		Foundation brakes & vehicle condition	Defect in foundation brakes.
			Uneven loading or defect in steering linkages and other alignments.

10.PROBLEM: WARNING BUZZER CONTINUOUSLY WORKING

10	Grad. hand brake valve	Leak through exhaust or less delivery pressure.	Overhaul assy. Ensure shimming to correct dimension.
10	System pressure	System pressure less.	Adjust/rectify to correct system pressure.
10	Low pressure indicator switch	Defective switch	Identify defective switch(s) by disconnecting the wire one by one. Replace defective assembly.

11.PROBLEM: LOW PRESSURE WARNING SYSTEM NOT WORKING

11	Low pressure indicator switch	Defective switch.	Identify defective switch(s) by disconnecting the wire one by one. Replace defective assembly.
11	Wiring and Buzzer	Defective circuit / buzzer.	Identify the defect and rectify/replace.
11	Stop light switch	Defective switch.	Identify defective switch and replace.
11	Wiring and bulb	Defective circuit/bulb.	Identify defective circuit/bulb and replace.

TROUBLE SHOOTING - LIFT AXLE SYSTEM

	Complaint	Cause	Do's-Don't
1	Axle is Lifted in fully laden condition	Override switch is kept ON contenuously	Do not operate override switch during normal use
		Wrong piping connections	Do not change connections
		Automatic Load Sensing Valve setting disturbed	Do not change LSV link setting
		Pressure limiting valve setting disturbed	Change Pressure limiting valve settings as per recommendation chart only
		Reverse switch shorted	check reverse switch
		Manual override switch connection shorted permanently	Do not short this switch connection
		Leaf Springs added	Do not add leaf springs, Warrantee voids if leaf spring is added
2	Axle is lowered in un-laden condition	LSV linkage setting is not correct	Do not disturb setting / ensure correct setting
		Pressure limiting valve setting disturbed	Do not disturb setting / ensure correct setting
		Solenoid coil failure	Check Solenoid with multimeter
		Bar between two axle missing or bend/allingment not proper	Check if bar is installed correctly
3	When manual override switch/reverse gear is operated, axle is not getting lifted (laden vehicle)	Override switch is failed due to continuous use	Do not operate override switch contenuously during normal usage
		LACV - solenoid faulty	Do not operate override switch contenuously during normal usage
		Broken wiring connection between LACVsolenoid valve & switch	Check wiring
4	More Time Required for Lifting & Lowering	Exhaust silencer block due to dust & oil.	Check exhaust silencer & clean/replace
		Pipe kinked or bend	Check Air pipe line for any dammages, Repair /Replace.

ERROR DESCRIPTION-ANTI-LOCK BRAKING SYSTEM (ABS)

ERROR CODE						
1	NO ERRORS					
16	POWER SUPPLY					
1	2	3	4	9	10	11
Over voltage	Low voltage at battery supply	Noise in battery supply or ignition supply	Noise in battery supply or ignition supply	Over voltage at ignition supply	Low voltage at ignition supply	Ignition Supply – low voltage during ABS control

2	WHEEL SPEED SENSOR FRONT AXLE LEFT SIDE				
1	2	3	4	5	6
Air gap	No signal from sensor, when vehicle is driven	Signal from sensor is erratic	Unstable signal	Loss of signal	Sensor wires shorted or broken

3	WHEEL SPEED SENSOR FRONT AXLE RIGHT SIDE				
1	2	3	4	5	6
Air gap	No signal from sensor, when vehicle is driven	Signal from sensor is erratic	Unstable signal	Loss of signal	Sensor wires shorted or broken

4	WHEEL SPEED SENSOR REAR AXLE LEFT SIDE				
1	2	3	4	5	6
Air gap	No signal from sensor, when vehicle is driven	Signal from sensor is erratic	Unstable signal	Loss of signal	Sensor wires shorted or broken

5	WHEEL SPEED SENSOR REAR AXLE RIGHT SIDE				
1	2	3	4	5	6
Air gap	No signal from sensor, when vehicle is driven	Signal from sensor is erratic	Unstable signal	Loss of signal	Sensor wires shorted or broken

8	PRESSURE MODULATOR VALVE FRONT AXLE LEFT SIDE						
1	2	3	4	5	6	7	8
Release Solenoid shorted to battery	Release Solenoid shorted to ground	Release solenoid wire broken	Modulator Valve ground wire broken	Hold Solenoid shorted to battery	Hold Solenoid shorted to ground	Hold solenoid wire broken	ABS System configuration error on Modulator Valve

9 PRESSURE MODULATOR VALVE FRONT AXLE RIGHT SIDE							
1	2	3	4	5	6	7	8
Release Solenoid shorted to battery	Release Solenoid shorted to ground	Release solenoid wire broken	Modulator Valve ground wire broken	Hold Solenoid shorted to battery	Hold Solenoid shorted to ground	Hold solenoid wire broken	ABS System configuration error on Modulator Valve

10 PRESSURE MODULATOR VALVE REAR AXLE LEFT SIDE							
1	2	3	4	5	6	7	8
Release Solenoid shorted to battery	Release Solenoid shorted to ground	Release solenoid wire broken	Modulator Valve ground wire broken	Hold Solenoid shorted to battery	Hold Solenoid shorted to ground	Hold solenoid wire broken	ABS System configuration error on Modulator Valve

10 PRESSURE MODULATOR VALVE, VALVE COMMON GROUND		
1	2	3
Release Solenoid shorted to battery	Modulator Valve ground wire shorted to battery	Modulator Valve ground shorted to vehicle ground.

11 PRESSURE MODULATOR VALVE REAR AXLE RIGHT SIDE							
1	2	3	4	5	6	7	8
Release Solenoid shorted to battery	Release Solenoid shorted to ground	Release solenoid wire broken	Modulator Valve ground wire broken	Hold Solenoid shorted to battery	Hold Solenoid shorted to ground	Hold solenoid wire broken	ABS System configuration error on Modulator Valve

15 ECU INTERNAL FAILURES							
1,2,5,6 & 7	3	4	9	10	11	15	
ECU Internal - Micro processor fault	ECU data error	ECU not programmable	Invalid configuration in ECU	ECU Internal - Relay not switching	ECU Internal - Relay permanently switched on	ABS ECU software is not compatible with ABS components	

17 ENDURANCE BRAKING DEVICE (ENGINE EXHAUST BRAKE OR DRIVE LINE RETARDER)	
1	2
Relay controlling endurance braking device shorted to battery	Relay controlling endurance braking device shorted to ground or broken wire

17-5 TYRE SIZE ALLIGNMENT

Tyre size is out of range (Either on front or on rear wheels)

17-10 WARNING LAMP

Warning lamp ground or warning lamp supply is either shorted to battery (OR) broken wire

17 WHEEL SPEED SENSORS

12

13

Wheel speed sensor failure recorded during previous 'Power On' cycle

Wheel speed sensors interchanged between Left and Right on front or at rear axle

ERROR DESCRIPTION- TRAILER-ABS

1st BLINK CODE		2nd BLINK CODE		TRAILER-ABS KB4TA
CODE	LOCATION	CODE	DESCRIPTION	
1	All	1	No faults present	To read current and stored faults: 1. Ensure that the ABS is powered via the ISO 7638 connection. 2. Apply and release the brake pedal at 1 second intervals: a) 3 times to read current faults b) 4 times to read stored faults. 3. After a period of 5 seconds the blink codes will be displayed. 4. Observe the trailer ABS lamp in the towing vehicle and record the blink code sequence. 5. A description of each blink code is shown in the table. 6. After rectifying any faults, check that the trailer ABS warning lamp in the towing vehicle is not illuminated after turning the ignition off and on. This may necessitate driving the vehicle at a speed >10km/h. Note: Blink code information is only available when the stop lamp power option and either 2S/2M or 4S/2M ABS are configured.
2	Sensor SL	2	Wheel speed sensor air gap too big	
3	Sensor SR	3	Loss of wheel speed sensor signal	
4	Sensor SAL	4	Noisy wheel speed sensor signal	
5	Sensor SAR	5	Short or open circuit wheel speed sensor	
		6	Tyre size differential out of range Wheel speed sensor configuration error	
6	Power	1	Voltage too high	
		2	Voltage too low	
		3	Excessive resistance on ISO 7638 Pin 1	
7	Modulator 22	2	Exhaust solenoid short or open circuit	
8	Modulator 21	3	ABS valve installation error	
9	AUXIO1 / Modulator 2	4	Valve configuration error	
10	Common	1	Internal short to ground	
		2	AUXIO1 or Modulator 2 short to ground	
		3	ABS valve dynamic error – all valves	
		4	Excessive ABS activity	
		5	AUXIO1 or Modulator 2 short to battery	
11	ECU	1	Internal error	
		2	Configuration error	
12	AUXIO1	1	Short or open circuit	
13	AUXIO2			
14	System	2	Service interval exceeded	



DISTRIBUTOR DETAILS

SR. NO.	ACS NAME	ADDRESS LINK	STATE	CONTACT PERSON
1	KAKINADA AIR BRAKES	COMPLEX, MAIN ROAD, OPP. INFO TECH, AUTONAGAR, SARPAVARAM, KAKINADA - 533004	ANDHRA PRADESH	MR. RAVIKUMAR 9703659789 kabs.kkd@gmail.com
2	ABDUL REHAMAN AUTOMOBILES	D. NO 55-5-29, PLOT NO 154 & 155, FIRST CROSS, 4TH ROAD, AUTO NAGAR, VIJAYWADA - 520007	ANDHRA PRADESH	MR. KARIMULLAH 9246417979, 8688116789 karimullah_s786@yahoo.com
3	AUTOMOTIVE SPARES AND SERVICE	DR. NO: 54-3-1/5, PLOT NO 43, BLOCK, NO: B-8, 2ND, CROSS, 4TH ROAD, AUTONAGAR, VIJAYWADA - 520007	ANDHRA PRADESH	MR. RAJESH 9581449988 0866-2544977 automotivesspares_knorrbremse@rediffmail.com
4	J. J. AUTOMOTIVE LIMITED	DAS AUTO BAZAR COMPLEX, KEDAR ROAD, RLY GATE NO. 5, GUWAHATI - 781001	ASSAM	MR. PEETHAMBARAN KP 08811003090 guwahati@jjauto.org
5	TOPSEL MARKETING PVT. LTD.	RAMKUMAR PLAZA, CHATRIBARI ROAD, GUWAHATI - 781001	ASSAM	9435018025 0361-2603624 topsel_ghy@sify.com
6	ALLIED ENGINEERS	CHATRIBARI ROAD, SOHEL NIWAS, GUWAHATI - 781001	ASSAM	9435104363 MITTAL_ZFINDIA@YAHOO.COM
7	MANGALAM ASSOCIATE	KEJRIWAL MARKET, PALTAN BAZAR, GUWAHATI - 78100	ASSAM	9864063969 associates.mangalam@rediffmail.com
8	ASSAM BALL BEARINGS	MANGAL RAM TOWER, GUWAHATI - 781001	ASSAM	MR. MANISH AGARWAL 8486895257 9435591571 assambearings@gmail.com
9	J. J. AUTOMOTIVE LIMITED	RAHMAN COMPLEX, EXHIBITION ROAD, PATNA - 800001	BIHAR	MR. SAMRESH KUMAR SINGH 09934011220 patna@jjauto.org
10	SUNRISE ENTERPRISES	SATYANARAYAN MARKET(NEAR DHIMAN ENGG), GANDHI SETU PATH, CHHOTI PAHARI, PATNA - 800020	BIHAR	91-748827050 9204658993 sunrise.75@rediffmail.com
11	TOPSEL MARKETING PVT. LTD.	119, ASHIANA TOWER, EXHIBITION ROAD, PATNA - 800001	BIHAR	9431025261 0612-2685306 / 6510326 topselpatna@rediffmail.com
12	TOPSEL MARKETING PVT. LTD.	CHOUDHARY MARKET, NEAR CENTRE POINT HOTEL, BHATTA BAZAR, PURNEA - 854301	BIHAR	7677221776 06454 240140 TOPSELPURNEA@REDIFFMAIL.COM
13	IMPERIAL MOTOR STORES	BESIDE SWASTIK YAMAHA SHOWROOM, MOUDHAPARA, RAIPUR - 492001	CHATTISGARH	MR. SHARMA 9300239500 0771 - 2583861 imsryp@gmail.com
14	PRATAP SINGH AND SONS	LALGANGA APARTMENT, M.G ROAD, RAIPUR - 492001	CHATTISGARH	MR. PANDEY 9329118895 0771 - 4031372 dp@pssao.com
15	PRECISION MOTORS	419, 2ND FLOOR, TERA HOTEL BUILDING, GURU NANAK MARKET, KASHMERE GATE, DELHI - 110006	DELHI	MR. NAKUL MEHTA 9717009757 precisionmotors_8@yahoo.com
16	LMC MOTOR CO. PVT. LTD.	6, HCMR COMPLEX, WAZIRABAD ROAD, EAST GOKULPURI, DELHI - 110094	DELHI	MR. RAJIV JAIN 9891389999 01122801243/ 44/45 rajiv.jain@lmc.ind.in
17	MANOJ MOTORS PVT. LTD.	A-10, SUVIDHA ESTATE, OPP. JAIPUR GOLDEN TRANSPORT, SARKHEJ-GANDHI NAGAR HIGHWAY, SARKHEJ, AHMEDABAD - 382210	GUJRAT	MR. ABHIJIT MEHTA 9824076329/79 26891868 spare@manojmotors.com
18	MANOJ MOTORS PVT. LTD.	49, TANKER ASSOCIATION BULIDING, NATIONAL HIGHWAY, GANDHIDHAM (KUTCH) - 370201	GUJRAT	MR. RAJU JOSHI 9723357177/8511290416 02836-239312 spare@manojmotors.com
19	MANOJ MOTORS PVT. LTD.	122, RUDA TRANSPORT NAGAR, NEAR MADRAS AUTO, AHMEDABAD HIGHWAY, NAVAGAM, RAJKOT - 360003	GUJRAT	MR. SANJAY PARMAR 0281-2706329 spare@manojmotors.com
20	MANOJ MOTORS PVT. LTD.	SHOP NO 4, SARGAM COMPLEX, OPP. SANJIVANI HOSPITAL, CHALTHAN - 394305, SURAT - 394305	GUJRAT	MR. NITESH PANCHAL 9537710070 02622-282328 spare@manojmotors.com
21	CALCUTTA AUTOMOBILES	4, Auto friend Estate, Nr. Changodar Bridge, Sarkhej-bavla Highway, Sarkhej, Ahmedabad - 382210	GUJRAT	9898012624 079-26891480 calcuttaautomobiles@rediffmail.com

DISTRIBUTOR DETAILS

SR. NO.	ACS NAME	ADDRESS LINK	STATE	CONTACT PERSON
22	PRATAP SINGH AND SONS	122, RUDA TRANSPORT NAGAR, NEAR MADRAS AUTO, AHMEDABAD HIGHWAY, NAVAGAM, RAJKOT - 360003	GUJRAT	9825713642 0281-2705165/ 0281-2705594 rajkot@pssao.com
23	PRATAP SINGH AND SONS	24, TANKER ASSOCIATION BUILDING, NATIONAL HIGHWAY, GANDHIDHAM - 370201	GUJRAT	9825867883 02836-224332 gandhidham@pssao.com
24	PRATAP SINGH AND SONS	22/23 AMIN COMPLEX, NEAR SAWAN HOTEL, SANAND CROSSING, SARKHEJ, AHMEDABAD - 380010	GUJRAT	7043514799 079-26890476 ahd@pssao.com
25	PRATAP SINGH AND SONS	A-4, NAGINBHAI CENTRE, RANOLI, G I D C, PLOT NO-6, NEAR DHANLAXMI PETROL PUMP, N H NO - 8, VADODARA - 400004	GUJRAT	9879012360 0265-2308732, 2243228 baroda@pssao.com
26	MIKU AGENCIES	RBG COMPLEX, TOWER No 2, JALARAM MARG, KARELIBAUG, VADODARA - 390018	GUJRAT	0265-2462426/ 2463097 miku.vdr@gmail.com
27	SEAL INDIA CORPORATION	SHOP NO.14, CARTERPURI ROAD, NEAR MARUTI TRUCK PARKING, GURGARM - 122001	HARYANA	MR. AMANDEEP 9871666622 obero.aman@yahoo.co.in
28	LAXMI MOTOR COMPANY	SHOP NO. 168, AUTO MARKET, HISAR - 185001	HARYANA	MR. MANISH JAIN / CHETRAM 9810048227/9416093230 manish@lmc.in
29	ANSH ENTERPRISES	SCO 365, SECTOR 4, TRANSPORT NAGAR URBAN ESTATE, KARNAL - 132001	HARYANA	MR. AKHIL/MR ASHU 9971501818/9650018000 anshenterprises@hotmail.com
30	JAI AUTOMOTIVE AGENCIES	SHOP NO. 406, YARD NO.6, TRANSPORT NAGAR NARWAL, JAMMU - 18006	JAMMU AND KASHMIR	MR. ASHOK KUMAR 9419144814 / 7889566956 jaiautojmu@rediffmail.com
31	J. J. AUTOMOTIVE LIMITED	SAI KRIPA BUILDING, WEST & PARK, KAJU BAGAN, BEHIND JP HYUNDAI WORKSHOP, HEHAL, RATU ROAD, RANCHI - 834005	JHARKHAND	9334710188 0651-2511055 ranchi@jjauto.org
32	SUNRISE ENTERPRISES	OPP. MALTI SAHU CLINIC, AMRUD BAGAN LANE, RATU ROAD, RANCHI - 834005	JHARKHAND	MR. NARENDER KUMAR VERMA 09771420230 ranchi@jjauto.org
33	TOPSEL MARKETING PVT. LTD.	SITA NIWAS, TELEPHONE EXCHANGE ROAD, DHANBAD-826001	JHARKHAND	9431121752 0326-2303629 pdgsandeep@gmail.com
34	TOPSEL MARKETING PVT. LTD.	15,16TH 2ND FLOOR, EASTERN BLOCK, GEL CHURCH COMPLEX, MAIN ROAD, RANCHI - 834001	JHARKHAND	9234668135 0651-2331177 btqran@tanishqmail.com
35	PRATAP SINGH AND SONS	LINE NO.6, NEAR BISAITI FACTORY, MANFIT, P. O. TELCO, JAMSHEDPUR - 831008	JHARKHAND	8051054342 0657 2270140 pssjamsshedpur@gmail.com
36	PAREKH AGENCIES	35, 1ST FLOOR, 2ND CROSS, JOURNALIST COLONY, J. C ROAD, BANGLORE - 560002	KARNATAKA	MR. MITESH PAREKH 9844080052 080-41145033 parekhagencies13@gmail.com
37	MELGE MOTORS	SURVEY NO. 1059, BESIDE AEGIS AUTOGAS PUMP, NH-4, GANDHI NAGAR, BELGAUM - 590016	KARNATAKA	MR. TANAJI R MELGE 9741262099 9141424499 melge_motors@rediffmail.com
38	AKSHAY MOTORS	NR. PRESIDENT HOTEL, SRINAGAR CROSS, TAJ NAGAR ROAD, UNAKAL, HUBLI - 580025	KARNATAKA	9980521815 9845205308 akshaymotors.hubli@gmail.com
39	SHRI SAI MOTORS	B. M PLAZA, NEAR SHARADA BHAVAN, NEW COTTON MARKET, HUBLI - 580029	KARNATAKA	MR. KIRAN PATIL 9343401528/9036298720 0836-2210772 saimotors8888@gmail.com
40	POOMKUDY AGENCIES PVT. LTD.	NO.33, 2ND CROSS, S.G NARAYANA SWAMY LAYOUT SUDHAMA NAGAR, BANGLORE - 560027	KARNATAKA	MR. NABISH. K. SIMON 9886773591 080-41207786
41	POOMKUDY AGENCIES PVT. LTD.	25-1-T 57/34, 'VISHWAS CROWN', OPP. YENOPAYA NURSING HOME, OLD BY PASS ROAD, KANKANADY, MANGOLOR - 575002	KARNATAKA	MR. PREETHAM KUMAR NAYAK 9886757819 0824-2436070 mlr@poomkudy.com
42	POOMKUDY AGENCIES PVT. LTD.	SIDDHAROODA COMPLEX, NO.103/C-19 & 103/20A, VIKAS NAGAR, HUBLI - 580021	KARNATAKA	MR. MANOJ KUMAR . P 9886757811 0836-2278414 hbl@poomkudy.com

DISTRIBUTOR DETAILS

SR. NO.	ACS NAME	ADDRESS LINK	STATE	CONTACT PERSON
43	POOMKUDY AGENCIES PVT. LTD.	NO.2363/7304, SHRI MANJUNATHA COMPLEX, 60 FEET ROAD CIRCLE, 1ST STAGE, VINOBA NAGAR, SHIMOGA - 577201	KARNATAKA	MR. SOORAJ S. 9886758273 bmshimoga@poomkudy.com
44	POOMKUDY AGENCIES PVT. LTD.	DOOR NO XII\889, POTTEKATTU BUILDING, HMT-SEAPORT AIRPORT ROAD, HMT COLONY, KALAMASSERY, ERNAKULAM - 683503	KERELA	MR. SANTHOSH KUMAR 8086397776 whmekm@poomkudy.com
45	POOMKUDY AGENCIES PVT. LTD.	POOMKUDY CENTRE, 2\2056 B, WYANAD ROAD, NEAR CIVIL STATION, CALIICUT - 673020	KERELA	MR. SUSANTH P. 9946501464 0495-2374846 bmclt@poomkudy.com
46	GOEL AGENCIES	SUPREME INDUSTRIAL ESTATE, ARANYESHWAR CORNER, PUNE-SATARA ROAD, PUNE - 411009	MAHARASHTRA	Mr. Anil Goel 9822031357 020-24232800 anil_g33@hotmail.com
47	IMPERIAL MOTOR STORES	431, SANGHRAJKA HOUSE, 4TH FLOOR, DR. D. B. MARG, OPERA HOUSE, MUMBAI - 400004	MAHARASHTRA	MR. SHASHIDHAR 9819520865 022-23893616/23893140 imsmumbai@yahoo.co.in
48	IMPERIAL MOTOR STORES	GUT NO. 5, SALUJA WAREHOUSE, NR. TCI GODOWN, OPP. GARWARE POLYESTER COMANYMIDC WALUJ, AURNAGABAD - 431136	MAHARASHTRA	MR. PATANGE 9371707799 0202556638/39 imsaurangabad@gmail.com
49	IMPERIAL MOTOR STORES	GODOWN NO 9, KRISHNA COOTON PRESS COMPOUND, 156, JAKARIA BUNDER ROAD, SEWRI, MUMBAI - 400015	MAHARASHTRA	MR. SHASHIDHAR 9819520865 022-238931616/ 23893140 imsmumbai@yahoo.co.in
50	IMPERIAL MOTOR STORES	UNIT NO.4, BLDG NO.183, INDIAN CORPORATION, OPP. GAJANAN PETROL PUMP, MANKOLI NAKA, DAPODA, BHIWANDI, THANE - 421302	MAHARASHTRA	MR. ANAND 9324815889/9323271935 imsmumbai@yahoo.co.in
51	IMPERIAL MOTOR STORES	JADHAV CHAMBERS II, MOUJE SHIROLI, OPP. KOLHAPUR STEELS, PUNE-BANGALORE HIGHWAY, SHIROLI, KOLHAPUR - 416122	MAHARASHTRA	MR. AMIT GAIKWAD 9527166768 0230-2469705/6513768 ims_kolhapur@yahoo.co.in
52	IMPERIAL MOTOR STORES	NUTAN WAREHOUSING COMPLEX, S. NO. 25/1B, BALAJI NAGAR, DHANKAWADI, PUNE-SATARA ROAD, DHANKAWADI, PUNE - 411043	MAHARASHTRA	MR. UMESH 9423617168/ 9371062932 020-24365541 imperial_motor@bsnl.in
53	IMPERIAL MOTOR STORES	PLOT NO 4, NEAR ICICI BANK, OLD 228, JAIN LAYOUT, AMRAVATI ROAD WADI, NAGPUR - 44002	MAHARASHTRA	MR. KIRAN 93722 24843 07104-224843 ims_nagpur@yahoo.com
54	PRATAP SINGH & SONS	516/517, PAREKH MARKET, OPP. JSS ROAD, NEAR KENNEDY BRIDGE, OPERA HOUSE, MUMBAI - 400004	MAHARASHTRA	022-43005005 ssc@pssao.com
55	PRATAP SINGH & SONS	115, TRUCK TERMINAL, NEXT TO STEEL TOWN PETROL PUMP, KALAMBOLI, NAVI MUMBAI - 410218	MAHARASHTRA	MR. VILAS D. 9930556049 / 9768503092 022-32681960 / 65171145 klm@pssao.com
56	PRATAP SINGH & SONS	PLOT NO. 11/A-2/2 NEAR NAGAON PHATA, PUNE-BANGLORE HIGHWAY, KOLHAPUR - 416122	MAHARASHTRA	MR. AMIT GAIKWAD 9527166768 0230-2469705/6513758 kolhapur@yahoo.co.in
57	PRATAP SINGH & SONS	22, NARAYAN DHURU X LANE, 1ST FLOOR, NAGDEVI, MUMBAI - 400003	MAHARASHTRA	MR. VIKRAM JADHAV 9320106162 022 - 23443236 / 23112104 nagdevi@pssao.com
58	PRATAP SINGH & SONS	SHOP NO 5, BHARAT BLDG, SECTOR 18. VASHI, NAVI MUMBAI - 400705	MAHARASHTRA	MR. YOGESH SAWANT 9702117455 vashi@pssao.com
59	PRATAP SINGH & SONS	10/11, RAWAL COMPLEX, K.CHATURBHUI LAYOUT WADI, NAGPUR - 440023	MAHARASHTRA	MR. RAMESH 9372430213 07104-221427 nagpur@pssao.com
60	PSP AUTOMOTIVE	SHOP NO 4, RIDDHI ARCADE, PLOT NO 857C, SECTOR KWC, STEEL MARKET, KALAMBOLI, NAVI MUMBAI - 410218	MAHARASHTRA	MR. VICKEY 9819740583 022-27426583 27426526 pspautomotive@rediffmail.com
61	RATAN TRADING COMPANY	524, MAHATMA PHULE PETH, OPP. SONMARG CINEMA, PUNE - 411042	MAHARASHTRA	MR. RATAN JAIN 9822064375 ratanjain@hotmail.com
62	SAHANI AUTO TRADERS	8, BIRLA MANSION NO 2, DR D. D. SATHE MARG, BENHAM HALL LANE, OPERA HOUSE, MUMBAI 400004	MAHARASHTRA	MR. TEJPREET SAHANI 8286007008/ 9322007008 022-30760259 venuscorp.mumbai@gmail.com
63	SHETH AUTO PARTS	PLOT NO: 169/170, SAMAJ BHUSHAN SOCIETY, TAWAKKAL LAYOUT, WADI KATOL BYPASS ROAD, WADI, NAGPUR - 440023	MAHARASHTRA	MR. ARORA 9922412177, 9922412170 0712-2522066 shethautoparts@gmail.com

DISTRIBUTOR DETAILS

SR. NO.	ACS NAME	ADDRESS LINK	STATE	CONTACT PERSON
64	IMPERIAL MOTOR STORES	G-1, ARJUN COMPLEX, NEAR BHAVARTAL GARDEN, NEPEAR TOWN, JABALPUR - 482002	MADHYA PRADESH	MR. SHARMA 0761-2450399/4040399 imsjabalpur14@gamil.com
65	IMPERIAL MOTOR STORES	153, RNT MARG, ARINABAD BLDG, INDORE - 452001	MADHYA PRADESH	0731-2706499/0731 2707626 imperialindore1@rediffmail.com
66	DECCAN VEHICLES PVT. LTD.	192, T P NAGAR, NEAR SINDH PANJAB CO-OP BANK, INDORE - 452001	MADHYA PRADESH	MR. PAWAR 9229195154 0731-6562793 dvpl.turbo@deccandiesels.com
67	PRATAP SINGH AND SONS	PSS HOUSE, 3 KACHNAR COMPLEX, NAVDRA BRIDGE, OPP. DESHBANDHU COMPLEX, JABALPUR - 482 001	MADHYA PRADESH	9827226023 0761-2627371/4005414 jabalpur@pssao.com
68	BABA TOPSEL	252,BAGAICHA MARG, NEAR HOTEL SHRESTHA, TAHACHAL - 13, KATHMANDU - 44600	NEPAL	00977-1-4030091 hm_bothra@yahoo.com
69	D.C.B.N TRADERS	252, BAGAICHA MARG, NEAR HOTEL SHRESTHA, TAHACHAL - 13, KATHMANDU - 4600	NEPAL	MR. HANUMAN JAIN 9807003640 hm_bothra@yahoo.com
70	J. J. AUTOMOTIVE LIMITED	NEAR UTKAL APPARTMENT, PLOTNO 145, KALYANI NAGAR, CUTTACK - 753013	ORISSA	MR. B. C. SAHU 07894454073 cuttack@jjauto.org
71	TOPSEL MARKETING PVT. LTD.	SUR COMPLEX, MANGALABAG, ODISHA, CUTTACK - 753001	ORISSA	9238003356 0671-2414593 topselctk@gmail.com
72	KHANNA MOTOR AGENCY	PLOT NO: 1031/ MAHANDI VIHAR, CUTTACK - 753004	ORISSA	MR. AJAY KHANNA 9861050178 khannamotor1@gmail.com
73	DEV ENTERPRISES	1ST FLOOR, THAKUR COMPLEX, SAHDEV MARKET, NEAR SHASTRI MARKET, JALANDHAR - 144001	PUNJAB	MR. RAJIV SHARMA 7696090154/9872099154 deventerprises14@gmail.com
74	BIR BROTHERS	8, SAHDEV MARKET, JALANDHAR - 144001	PUNJAB	MR. JOGINDER BHATIA/MR SAHEJ 9814225884/8699993702 birbrothersjalandhar@gmail.com
75	LAKSHMI MOTOR COMPAN	A-1/30, AUTOMOBILE NAGAR, JAIPUR - 302003	RAJASTHAN	MR. SHARMAJI 9829287087 0141-2643846 lmc.jaipur@gmail.com
76	PRATAP SINGH AND SONS	SHOP NO. 23, OPP PALI JI KA DHABA, TRANSPORT NAGAR, JAIPUR (RAJ.) - 302003	RAJASTHAN	MR. PAWAR 8824015080 0141-4109321 jaipur@pssao.com
77	SHRI MAHALAXMI AUTOPARTS PVT. LTD.	MAHALAXMI CHAMBERS, D-18, TRANSPORT NAGAR, JAIPUR - 302003	RAJASTHAN	141-4010541/ 2641856 smap@shrimahalaxmi.co.in
78	SHRI MAHALAXMI AUTOPARTS PVT. LTD.	C-113, VALICHA, TRANSPORT NAGAR, AHMEDABAD ROAD, UDAIPUR - 313004	RAJASTHAN	9001257000 smap@shrimahalaxmi.co.in
79	POOMKUDY AGENCIES PVT. LTD.	766, SAKTHI TOWERS, ANNA SALAI, CHENNAI - 600002	TAMILNADU	MR. MANOJ KUMAR 7339204440 044-42874423 bmdms@poomkudy.com
80	JAGADAMB TRADING COMPANY	NO 36, (OLD 107), GENERAL PATTERS ROAD, CHENNAI - 600002	TAMILNADU	MR. NARESH SARAF 9840071655 044-28604292 contact@jagdamba.net
81	POOMKUDY AGENCIES PVT. LTD.	NO. 6-9, OMALUR MAIN ROAD, OPP. GANDHI STADIUM, SALEM - 636009	TAMILNADU	MR. JAYANAND S. B 9994455630 0427-2350470 bmsalem@poomkudy.com
82	POOMKUDY AGENCIES PVT. LTD.	9\15, DR. MUNUSAMY GARDEN STREET, AVINASHI ROAD, COIMBATORE - 641018	TAMILNADU	MR. SIVADAS B. 9994455631 0422-2303440 bmcbe@poomkudy.com
83	POOMKUDY AGENCIES PVT. LTD.	DOOR NO.117, KHAJA TOWER, NORTH VELI STREET, MADURAI - 625001	TAMILNADU	MR. SUMESH R 9600355622 0452-2361622 bmmadurai@poomkudy.com
84	SRI SABARI AGENCIES	3\225K, 1C, THIRUVALLUVAR NAGAR, RATHI MEENA WATER SERVICE BACK SIDE, NAMAKKAL - 637003	TAMILNADU	MR. KARTHIKEYAN 9843030323 srisabari37@yahoo.com

DISTRIBUTOR DETAILS

SR. NO.	ACS NAME	ADDRESS LINK	STATE	CONTACT PERSON
85	BEST AUTOMOTIVE	TRIVANDRUM MAIN ROAD, KATTAYANVILAI, POST VETORNIMADAM, NAGERCOIL - 62700	TAMILNADU	MR. MANIKANDAN 9894623494 04652-234995 sriibalajirasc@yahoo.com
86	STAR ELECTRONICS DIESEL ENGINEERS	H.NO:- 5-5-155/3, OPP IOC PETROL PUMP, NEAR VISHNU THEATRE, CHINTALKUNTA, L.B. NAGAR, HYDERABAD - 500074	TELANGANA	MR. AFZAL KHAN 9000016661 040-64598666 stardiesels@gmail.com
87	POOMKUDY AGENCIES PVT. LTD.	PLOT NO 5, BLOCK 29, BEHIND APSEB POWER STATION, AUTO NAGAR, VANASTHALIPURAM, HYDERABAD - 577201	TELANGANA	MR. GOVIND 9949095203 4024124955 bmshimoga@poomkudy.com
88	SIDRA AUTO ENGINEERING PVT. LTD.	6-2-46, MOIN COURT, A.C. GUARDS, HYDERABAD - 500004	TELANGANA	MR. AMJAD RABBANI 7799490011/9160851797 040-23392444 sidraapl@hotmail.com
89	AJAMANI AGENCIES	S-33,GURU NANAK AUTO MARKETPRATAP GANJ, (GADARIAN PURWA) KANPUR - 208012	UTTAR PRADESH	MR. VINOD AJMANI 9415041241 05122220573 ajmnaiknp@yahoo.co.in
90	PRATAP SINGH & SONS	122/86 SAROJINI NAGAR, KANPUR - 208012	UTTAR PRADESH	MR. RAMADEEP/PARKASH 7678980990 5122222644 kanpur@pssao.com
91	PRATAP SINGH & SONS	4/18 TRANSPORT NAGAR, AGRA - 282001	UTTAR PRADESH	MR. ROSHAN PATHAK 9058120911 05623215196 agra@pssao.com
92	INNOVATION SOLUTION	D30-31, TRANSPORT NAGAR, GORAKHPUR - 273001	UTTAR PRADESH	MR. ASHWANI KUMAR 9410830620 gkpasc@gmail.com
93	LAKSHMY MOTOR COMPANY	5/6 NO SHOP,GROUND FLOOR, GT ROAD GURU GOBIND SINGH TOWER, DOHLEWAL CHOWK, LUDHIANA - 141002	UTTAR PRADESH	MR. MANISH JAIN/MR SAINI 9810048227/9888651552 lmc.ludhiana@gmail.com
94	AJAMANI AGENCIES	DURGA MILLS(NEAR MILK DIARY), MANGAL PARAO, HALDWANI - 263139	UTTARAKHAND	MR. RAJAT AJMANI 9559444000 rajatajmani@gmail.com
95	PRATAP SINGH & SONS	70/7, CHANDER NAGAR, DEHRADUN - 248001	UTTARAKHAND	MR. PANKAJ 9627455680 dehradun@pssao.com
96	J. J. AUTOMOTIVE LIMITED	C/O KOTHARI METALS, 8 & 9, TILJALA ROAD, KOLKATA - 700046	WEST BENGAL	MR. SUNIL KR. SINGH 09831320497 24868872 kolkata@jjauto.org
97	J. J. AUTOMOTIVE LIMITED	17, MASTERDA LANE, ASHRAMPARA, SILIGURI - 734401	WEST BENGAL	Mr. GOUTAM PAL 08420109195 siliguri@jjauto.org
98	NATIONAL AUTO LINKS	1, PRINCEP STREET, KOLKATA - 700072	WEST BENGAL	nal.kolkata@gmail.com
99	SARKAR ENGINEERING WORKS	NH-34, MANGABARI, MALDA - 732142	WEST BENGAL	turbo_care@rediffmail.com
100	TOPSEL MARKETING PVT. LTD.	F-6, MUNESHWARI BHAWAN, CONTRACTORS AREA, 3RD FLOOR, BISTUPUR, JAMSHEDPUR - 831001	WEST BENGAL	0657-2239257 / 6510005 topseljsr@sify.com
101	TOPSEL MARKETING PVT. LTD.	25 GANESH CHANDRA AVENUE, KOLKATA - 70013	WEST BENGAL	033-22112828 topsel@vsnl.com
102	TOPSEL MARKETING PVT. LTD.	SRIRAM COLONY (NEAR LIC BUILDING), SEVOKE ROAD, SILIGURI - 734401	WEST BENGAL	9832038604 topselsiliguri@gmail.com
103	NATIONAL AUTO LINKS	P. P COMPUND, PRAVIN HOUSE, RANCHI - 834001	JHARKHAND	MR. CHIRANJEEV SINGH 9831184965 nal.kolkata@gmail.com
104	PREMIER INDUSTRIES	116, RIPON STREET, KOLKATA - 700016	WEST BENGAL	MR. ALOK KOTHARI 9330968288 033-40067484 premier_industrial@yahoo.com

AUTHORISED SERVICE CENTRE DETAILS

SR. NO.	ACS NAME	ADDRESS LINK	REGION	CONTACT PERSON
1	POWER ZONE	BACHOO GARAGE COMPOUND, SAFED POOL, KURLA-ANDHERI ROAD, MUMBAI - 400 072	WEST	MR. JAVAHAR VARMA 09223377256 zonepwr@gmail.com
2	POWER DIESEL	AJIVALI, OLD MUMBAI-PUNE HIGHWAY, PANVEL, DIST. RAIGAD - 410206	WEST	MR. GHANSHYAM YADAV 09224198652 bdpanvel@bachudiesel.com
3	BOMBAY AUTO AGENCIES	SHOP NO.24, TRUCK TERMINAL, SECTOR, NO. 19 APMC, VASHI TURBHE ROAD, NEAR POOJA PANJAB HOTEL, NAVI MUMBAI - 400705	WEST	MR. BUNNY SABHARWAL 9821228585 baa_hgp@rediffmail.com
4	RATAN AUTO SERVICES	MAHATMA PHULE STREET, OPP. SONMARG CINEMA, PUNE - 411 042	WEST	MR. RATAN JAIN 98220 64375 ratanjain@hotmail.com
5	SHREE MAHALUXMI AUTO ENGINEERING	SHOP NO 5, OPP PRATIBHA MOTORS, HINJEWADI ROAD, WAKAD, PUNE - 411033	WEST	MR. SHAILENDRA 9822402929 sb.sme11@yahoo.com
6	BALAJI EXPERTS	143/23, TRANSPORT ASSOCIATION BULDING, TRANSPORT NAGAR, NIGDI-411044	WEST	MR. UDAYAN PILLAI 9823016257 balajimotorparts@rediffmail.com
7	FAMOUS AUTOMOTIVES	758 LINE BAZAR, OPPOSITE MILITARY MASJID, NAGAR-AURANGABAD ROAD - 414001	WEST	MR. SHAIKH ARIF AHMED 9890323131 shaikhsaad499@gmail.com
8	NEW POPULAR AUTO SERVICES	PRYADARSHNI COMPLEX, SHOP NO 1/2 JAFAR GATE MONDHA, AURANGABAD - 431001	WEST	MR. HAMIDBHAI 9325225129 newpopular_1@yahoo.in
9	MONIJI MOTORS	CHANDASINGH CORNER, MIDC, NANDED - 431601	WEST	MR. APRIK SINGH 9921004977 monijimotors@gmail.com
10	CITY BRAKE SERVICE	SHOP NO 1,2 SHABBIR MOTOR GARAGE, CITY TURBO, NIVRUTTI COMPLEX, DWARKA, NASHIK	WEST	MR. UMER QUERESHI 9370613213 cityautonasik@gmail.com
11	MAHALAXMI ENGINEERS	B1, NEW INDUSTRIAL ESTATE, Y. P. PAWAR NAGAR, KOLHAPUR - 416012	WEST	MR. SANJAY MANGAOKAR 9423041433 msanjay64@yahoo.com
12	NEW VIJAY AUTOMOBILES	PLOT NO-06, GANESH NAGAR, DANGE PLOT, BALE, SOLAPUR - 413102	WEST	MR. PRAKASH RAUT 9422646080 newvijayautomobilesolapur@gmail.com
13	AT AUTOWORKS	MALEGAON ROAD, NEAR TATA SHOWROOM, NEW DATTANAGAR, BARAMATI, PUNE - 413102	WEST	MR. FIROZ SHAIKH 9850492170 atautoworks3324@gmail.com
14	S KHAN MOTORS	AMBAJOGAI ROAD, NEAR APPE SHOWROOM, PARALI, BEED - 431515	WEST	MR. YUNUS KHAN 9970407486 s.khanmotors786@gmail.com
15	BAFANA AUTO AGENCIES	PLOT NO. 4,5, GANGA NAGAR, SHIRUR BYPASS ROAD, SHIRUR - 412210	WEST	MR. PRAKASH BAFANA 9225524139 pcbafana@hotmail.com
16	S. A. AUTOMOBILES	TAJ COMPLEX, SHOP NO.3, PADOLI NAGPUR ROAD, CHANDRAPUR - 442401	WEST	MR. ASHISH JOSHI 98231 92862 saautomobiles786@gmail.com
17	S. A. AUTOMOBILES	SHOP.NO:101, FIRST FLOIR, VIRA PLAZA, SHARDA COMPANY SQUARE, NEAR AUTOMOTIVE, NAGPUR - 440020	WEST	MR. ASHISH JOSHI 98231 92862 saautomobiles786@gmail.com
18	S. A. AUTOMOBILES	NEAR RAILWAY GATE, DHUMNE COMPLEX, CHIKALGAON, YAVATMAL ROAD, WANI 445 301	WEST	MR. ASHISH JOSHI 98231 92862 saautomobiles786@gmail.com
19	ANAND AIR BRAKES	SHOP NO. 1, NEAR SAUBHAGYA HOTEL, ASLALI-SARKHEJ RING ROAD, ASLAI CIRCUL, ASLALI - 382427	WEST	MR. JIGAR 9898356270 / 9898391270 anand.airbrakes@gmail.com
20	BHOOMI MOTORS	B/6 NAGINBHAI CENTER, PLOT NO. 6, GIDC, RANOLI - 391350	WEST	MR. AJAY 9879542276 bhoomimotors@ymail.com
21	SHREE GANESH AUTO	NATIONAL HIGHWAY NO. 8, NEAR SHREE AMBICA AUTO TAL-KAMREJ, SURAT - 394150	WEST	MR. AJAY 9879542276 bhoomimotors@ymail.com

AUTHORISED SERVICE CENTRE DETAILS

SR. NO.	ACS NAME	ADDRESS LINK	REGION	CONTACT PERSON
22	BHOOMI MOTORS	1 & 2 SAMUDRA COMP., OPP. WIDE ANGAL CINEMA, NAGALPUR - 384001	WEST	MR. KAMLESH 9033012276 bhoomimotors@ymail.com
23	NEW SIRAJ MOTORS	NEAR SAT HANUMAN TEMPLE, NH 8, NAVAGAM - 360003	WEST	MR. SIRAJ 9824376786
24	CARWHEEL MOTORS & INFR. PVT. LTD.	PLOT NO. 165/B/15 & 16, 2ND PHASE, GIDC, OPP. DADRA PAPER MILL, VAPI - 396195	WEST	MR. AJAY 9824152807 carewell.vapi@yahoo.in
25	HIRA AUTO PARTS	SHOP NO. 8, TRANSPORT NAGAR TRUCK, NH 8, GANDHIDHAM - 370201	WEST	MR. MAHENDRA 9824286258
26	BHARAT AUTO GARAGE	NEAR VICTORIA BRIDGE, GOMTIPUR, NADIPAT, OPP. WATER TANK, JAMNAGAR - 361001	WEST	MR. MANOJBHAI / GOPALBHAI 9824245674 / 9898929217
27	JAGADAMBA MOTORS	219, BEECHWAL INDUSTRIAL AREA, SUPER TRUCK MARKET, GANGANAGAR ROAD, BIKANER - 334 001	NORTH	MR.VINOD 8058003929
28	SHREE MAHALAXMI AUTO SALES & SERVICE	D 18, TRANSPORT NAGAR, JAIPUR - 302003	NORTH	MR. SUMAN 9001252000 anupam@shrimahalaxmi.co.in
29	KANCHWAHA MOTORS	BALDEV NAGAR, NEAR AKHALIYA CIRCLE, JODHPUR - 342001	NORTH	MR. MAHESH MEHTA 092140 56243
30	GANPATI AUTOMOTIVE	A-86, TRANSPORT NAGAR, ALWAR - 301001	NORTH	MR. SUDIR 075976 17168
31	KRISHNA LUBRICANTS	533/15, YADAV MENTION, SRINAGAR ROAD, AJMER - 305008	NORTH	MR. ATULJI 098290 71685
32	VISHVKARMA MOTOR GARAGE	CHARKDA HOUSE, NAGOR ROAD, NOKHA , BIKANER - 334803	NORTH	MR. MAHAHVIR 9413105742
33	SIDDHESWAR DIESEL SALE CORPORATION	123D, NEW GREEN MANDI, KOTA - 324004	NORTH	MR. RAJESH 9828162205 siddeshwardiesel@gmail.com
34	SHAHPURA DIESEL, SHAHPURA	NEAR FAFIYA PULIA, JAIPUR, DELHI ROAD	NORTH	MR. MANOJ 9928199162
35	SUMAN AUTOMOBILES	NH-08, TRANSPORT NAGAR, BALICHA, UDAIPUR - 313002	NORTH	MR. ANAND 9950228777 / 9950334444 suman@hotmail.com
36	APSARA TURBO	57-A MECHANIC NAGAR, BHANWARKUA, INDORE - 452001	WEST	MR. SHAIK 9826622011
37	BHILAI SALES & SERVICE	TRANSPORT NAGAR 5/67, REWA ROAD, SATNA - 485001	WEST	MR. SACHIN 9713066188 sachinbhalla42@yahoo.com
38	SAKSHI AUTO SALES & SERVICE	OPP-STATE BANK OF INDIA CHERITAL, MP 482 002	WEST	MR. AMIT GUPTA 9039546778 scservies@gmail.com
39	GREEN MOTORS WORKSHOP, GWALIOR	W 3/73, PARKING NO 6, TRANSPORT NAGAR	WEST	MR. SANDEEP 9826084538
40	K. K. BRAKE	A B ROAD, NEAR MADHUBAN RESTORANT, DEWAS NAKA - 452010	WEST	MR. KASHINATH 094240 92181
41	J K TURBO & POWER	G J JITENDRA COMPLEX, JAYSHREE ROAD, KALWA CHOWK	WEST	Mr Jayntibhai 9427243717 jkturbopower_25@yahoo.in
42	SHREERAM AGENCIES	AHMEDABAD NATIONAL HIGHWAY, OUT SIDE OCTROI NAKA	WEST	Mr Sachin 9825431545 shreeramagencies@yahoo.com

AUTHORISED SERVICE CENTRE DETAILS

SR. NO.	ACS NAME	ADDRESS LINK	REGION	CONTACT PERSON
43	NISHIT SALES	OPP. KOMAL HOTEL, NARI CHOKDI	WEST	MR. DOLTRAM 9687988988 nishitsalesbvn@gmail.com
44	K S STAR AIR BRAKE SYSTEM	SHOP NO. 5, A ONE COMPLEX, SARKHEJ-BAWLA HIGHWAY, NEAR SANATHAL CIRCLE	WEST	MR. ZUBER 9376112674 nadim1994pathan@gmail.com
45	MAUSAM MOTORS	NEAR SANJIVANI HOSPITAL, NH NO. 8 AT & PO CHALTHAN, TALUKA PALSANA	WEST	MR. AMIT PATEL 9979049193
46	DECCCAN VEHICLES	NATIONAL HIGHWAY NO 3, 4 LANE BYPASS, RAU, INDORE - 453331, GRAM NIHALPUR MUNDI	CENTRAL	MR. SIVKUMAR 9200055532
47	DIESEL INDIA	NEAR MARUTI SHOW ROOM, BY PASS ROAD, NH 15	NORTH	MR. PRADEEP 9351184111 dieselandia_barmer@yahoo.com
48	SHYAM ENTERPRISE	MECHANIC NAGAR, OLD A B ROAD	WEST	MR. SHAYAM 9754480887/7271223715 pranay.agrawal1998@gmail.com
49	PARI AUTOMOBILES	SHOP NO. 47, NEAR BANKROTA BRIDGE, AJMER ROAD	NORTH	MR. SAPAN 9929108099 spari02@rediffmail.com
50	AUTOCARE ASSOCIATES	ARJUNLAL KAUSHIK COMPLEX, NEAR SHARDA MANDIR, PARSADA, RAIPUR ROAD, BILASPUR - 495001	EAST	MR. VENUGOPAL 90399 69681 autocareassociates@gmail.com
51	SINGH SALES & SERVICE	SHOP NO. 39-40, BLOCK NO.13, DR. KHUBCHAND BAGHEL, TRANSPORT NAGAR, RAWABHATA, RAIPUR - 493221	EAST	MR. KULWANT SINGH 9303455155 kulwant0204@gmail.com
52	MODERN DISTRIBUTORS	NH 200, VILLAGE DHANELI, RAIPUR - 493111	EAST	MR. SANTOSH 9229915450 modern_services_ma@yahoo.co.in
53	SHRI BALAJI BRAKES	PLOT NO. 205, TRANSPORT NAGAR, STADIUM ROAD, KORBA - 495677	EAST	MR. SHUBHAM KUMAR 7000298768 gauravbalajikorba@rediffmail.com
54	SHRI BALAJI BRAKES	JINDAL ROAD, URDANA BYPASS ROAD, NEAR BAJRANG MOTORS, RAIGARH - 496001	EAST	MR. NEERAJ KUMAR 88 17 112691 gauravbalajikorba@rediffmail.com
55	SUNRISE ENTERPRISES	SATYA NARAYAN MARKET, GANDHI SETU PATH, CHOTIPAHARI - 07	EAST	MR. ABHAY SINGH 9431049245 sunrise.75@rediffmail.com
56	SUPER RIDER	GOLAPBAG, SARAIKAR ROAD, BURDWAN, 713104	EAST	MR. SHIBU MUKHERJEE 9434199735 subhasenggworks@gmail.com
57	NIRANJAN GARAGE	106,B.T ROAD, BONHOOGHLY, KOLKATA 700108	EAST	MR. DILRAJ SINGH 9433031762 dilrazsingh@yahoo.co.in
58	SARKAR ENGINEERING WORKS	NH - 34, MANGALBARI, MALDA - 732142	EAST	MR. DIPAK SARKAR 9434112181 turbo_care@rediffmail.com
59	GILL DIESEL SERVICE	NH-5, GILL COMPLEX, MANGULI, CUTTACK - 753025	EAST	MR. GIRJITT SINGH GILL 9437024151 gill_diesel@yahoo.co.in
60	SUNRISE ENTERPRISES	NH-33,BHARTI COMPLEX, OPPOSIT BUDHIA AGENCY - 834017	EAST	MR. ABHISEKH KUMAR 9308654104 akst29@gmail.com
61	KARTAR MOTORS	CHARKDA HOUSE, NAGOR ROAD, NOKHA, BIKANER - 334803	EAST	MR. HARDEEP SINGH 9939108646 hardeepsunsoy@gmail.com
62	SAMANTA SERVICES	NH-2, BARAHI, HAZARIBAG - 825301	EAST	MR. INDRAJEET SAMANTA 9431142469 indrajeet_samanta@rediffmail.com
63	AIRPORT DIESELS	JESSORE ROAD, 3 NO. PANDIT MATILAL COLONY, PS-AIRPORT, KOLKATA - 700081	EAST	MR. ASIM SARKAR 9830243739 airportdieselkol@rediffmail.com

AUTHORISED SERVICE CENTRE DETAILS

SR. NO.	ACS NAME	ADDRESS LINK	REGION	CONTACT PERSON
64	GOPAL DIESELS	NH-31,AMARDEEP CINEMA, NEAR HANS MOTOR, BEGUSARAI - 851101	EAST	MR. MAYANK KUMAR 7654905707 gopaldiesels@gmail.com
65	LAHA AUTOMOBILE	NH-2, PANAGARH BAZAR, PANAGARH - 713148	EAST	MR. GANGADHAR LAHA 9474600622 9832154358 gangalaha@rediffmail.com
66	SUBH SERVICE STATION	NH-28, RAJENDRA MARKET, BHAGWANPUR CHOWK, MAZAFFARPUR	EAST	MR. SURENDER SINGH 9472935871
67	D AUTO CARE	NH-37, BETKUCHI.LALUNG GAON, GUWAHATI - 781034	EAST	MR. YUVRAJ KUMAR ROY 9577678505 9864011195 dautocareghy@gmail.com
68	D AUTO CARE	AMAR COMPLEX, OPP. HIJUGURI, TINSUKIA - 786125	EAST	MR. N MITTAL 9854403312/9435104363 mittal_zfindia@yahoo.com
69	KHATKHATI DIESELS	KHATKHATI,KARABI, ANGLONG, ASSAM - 782480	EAST	MR. PRITPAL SINGH GANDHI 9954353863 08011753571
70	S.S AOTO ELECTRICAL	NH-2, UDAYPUR, KALYANPUR, DHANBAD 826004	EAST	MR. SUKHIJINDER SINGH 8092694231 9798003640 khalsa.dhn@gmail.com
71	SAMALESWARI ENGINEERING	NH-5, GOPAL PALI CHAWK, REMED, SAMBALPUR - 768003	EAST	MR. TUSHAR KANT DAS 9437185078 samaleswari.auto@gmail.com
72	SWAPAN AUTOMOBILE	HAZRAMORE, OPP. KALIMONDIR, DURGA CHOWK, HOLDIA- 721602	EAST	MR. SWAPAN JANA 9434611844 8348901522
73	SIDDHIVINAYAK AUTOMOBILE	TALCHER TOWN, ANGUL - 759107	EAST	MR. SAMIR KUMAR JAIN 9439122268 sameerjain.tcr@gmail.com
74	N. P AUTOMOBIL	NH-34, CHUANPUR MORE, BERHAMPORE 742105	EAST	MR. SWARUP SARKAR 9749793553 7586962810 swarup3msd@gmail.com
75	BALWINDER MOTOR	NH-33BALIGUMA,DANGA, JAMSHEDPUR 831012	EAST	MR. KAMALJEET SINGH
76	SRI OM ENTERPRISES	MAL PAHARI ROAD, PIYADAPUR PAKUR 816107	EAST	MR. RAJESH BHAGAT 9431312229 rajeshpkr123@gmail.com
77	SHREE BALAJEE MOTORS	NH-31, JHUMRI TELAIYA - 825409	EAST	MR. VIKASH KUMAR 7763846777 vikash06534@gmail.com
78	C. K HYDROLICK	BAMUNDANGA, BHANGAR MATH, SAMABOYA PALLY, BALLY, HOWRHA 711205	EAST	MR. CHANDAN GUPTA 9331005587 c.khydrolick@gmail.com
79	SANGAM MOTORS SALES & SERVICE	BG 597, SANJAY GANDHI TRANSPORT NAGAR, NEW DELHI - 110042	NORTH	MR. PURAN MAL/MR. SUNIL VERMA 9810820526 9250286556 sangammotor.sangam@gmail.com
80	BHARAT MOTORS	NEAR FLY OVER BRIDG, CHOTTI NAHAR SARNA, PATHANKOT - 145001	NORTH	MR. MOHAN SINGH 9417013977 bharatmotors777@gmail.com
81	BHARAT METER	567, AUTO MARKET, NEAR MODI GAS, HISAR, HARYANA - 185001	NORTH	MR. BHARAT BHUSHAN 9896013231 bharatmeters@yahoo.com
82	NEELKANTH TURBO	SHOP NO2, NEAR MARUTI GATE NO 2, GURGAON	NORTH	MR. RAVI CHAND 9313983599 Neelkanthturbo4@gmail.com
83	SHRI MANOJ MOTORS	SARIA MILL HISAR ROAD ROHTAK	NORTH	MR. MANOJ SINGH 9467870389
84	G. R. DAS ENGINEERING WORKS	SHOP NO. 595, NEW MOTOR MARKET, MANIMAJRA - 160101	NORTH	MR. G. R. DAS 9779736862 avtarsingh6862@gmail.com

AUTHORISED SERVICE CENTRE DETAILS

SR. NO.	ACS NAME	ADDRESS LINK	REGION	CONTACT PERSON
85	MADHAV ENTERPRISES	SHOP NO. 263, SEC 58, TRANSPORT NAGAR, BALLABGARH, HARYANA - 121004	NORTH	MR. RAHUL DAYMA 09911391414/09911391415 Madhaventprise177@yahoo.com
86	SAURAV MOTOR WORKSHOP	SHOP NO.134, HARYANA MOTOR MARKET, GT ROAD, AMBALA CITY	NORTH	MR. JAI RAM 07876561040/09992643037
87	K. ASSOCIATE AGENCIES	SHOP NO.457, YARD NO.06, TRANSPORT NAGAR, NARWAL, JAMMU (J&K)	NORTH	MR. LALIT KUMAR VIRDI 09419181537
88	SINGH SERVICE CENTRE	56-B, TRANSPORT NAGAR, MERRUT - 250002	NORTH	MR. RITESH 9759096605
89	ANAND SALES & SERVICE	123/415, GURUNANAK MARKET, FAIZALGANJ, KANPUR18	NORTH	MR. DIPPY 09307180100 MR. MANMEET 09336120232 dippyji@gmail.com
90	PRADEEP HYDRAULICS	4/1, TRANSPORT NAGAR, OPP. STATE BANK OF INDIA, AGRA - 282002	NORTH	MR. PARDEEP 9259774984 pradeep.hydraulics@gmail.com
91	SANGAM MOTOR SALES & SERVICE	RAO TEJ SINGH MARKET, NEAR RAO DHARAM KANTA, DHARUHERA, HARYANA	NORTH	MR. ROHIT 8800228739 sangammotor.dharuhera@gmail.com
92	SINGH SERVICE CENTRE	B. O. NO. 36/12, SHIVA COMPOUND, U. P. BORDER, GHAZIABAD - 201006	NORTH	MR. DHRUV SINGH 98187 11331 singhservice32@gmail.com
93	UNIVERSAL TRADERS & MANUFACTURERS	123/158, KALPI ROAD, OPP. D. I. C, KANPUR - 12	NORTH	MR. VISHAL ARORA 9415170980 universal_traders_knp@hotmail.com
94	ROSHAN DIESEL SERVICE	S 407, TRANSPORT NAGAR, NEAR RTO, KANPUR ROAD, LUCKNOW - 226012	NORTH	MR. NAGEES KHAN 9415056590 roshandieselservice@hotmail.com
95	SHREE KASHI ENGINEERS	J-16/74 B, 3A, DOSHI PURA, G. T. ROAD, VARANASI - 221003.	NORTH	MR. GAURI SHANKAR GUPTA 90269 69578
96	INNOVATIVE SOLUTION	D30-31, TRANSPORT NAGAR, GORAKHPUR - 273001	NORTH	MR. ASHWANI 9410830620 gkpasc@gmail.com
97	SINGH SERVICE CENTRE	SHOP NO.4, TAYAGI MARKET, MERRUT ROAD, GHAZIABAD - 201006	NORTH	MR. BAHADUR 9818036958 singhservice32@gmail.com
98	A.R. AUTO SERVICE	PLOT NO.39, 3RD LINE, 3RD CROSS, JAWAHAR AUTONAGAR, VIJAYAWADA - 520 007	NORTH	MR. ISMAIL 9951786666/9346457979 arautoservice99@gmail.com
99	CHENDU AUTO SERVICES KB	D. NO. 27-2-9/1, SITARAMNAGAR COLONY, 100 FEET ROAD, OLD GAJUWAKA, VISAKHAPATNAM - 530 026	SOUTH	Mr. Rama Krishna 7893576688 chenduautoserviceskb@gmail.com
100	SREE PAWAN MOTOR SERVICE	PLOT NO.167, OPP.PUSHKALA ENGG. WORKS, AUTONAGAR MAIN, RAJAHMUNDRY - 533 106	SOUTH	MR. SATYANARAYANA 9959256767 narendrakumarvennela@gmail.com
101	TUNGABHADRA MOTORS	D NO. -1-19, SURVEY NO 264/3, NH7, PANCHALINGALA, KURNOOL - 518003	SOUTH	MR. MINAZ 9440292523 tungabhadra786@gmail.com
102	KAKINADA AIR BRAKE SYSTEMS	FLAT NO 142, BSN COMPLEX , MAIN ROAD, OPP.INFO TECH,AUTO NAGER, SARPAVARAM, KAKINADA - 4	SOUTH	MR. GANDHI 9703659789 kabs.kkd@gmail.com
103	SRI VENKATESWARA AUTO EQUIPMENTS	PLOT NO. A33, PHASE, GURURAM BABAYYA KALYANA MANDAPAM ROAD, AUTONAGAR, NELLORE - 524004	SOUTH	MR. NARENDRA 9849779922 svae.nlr@gmail.com
104	PRATHIBHA MOTORS	SURVEY NO. 470, NEAR AMARHOSPITAL, ALAMKHANPALLI ROAD, VINAYAKA NAGAR, KADAPA - 516001	SOUTH	MR. KNV TRINADH 8886933789 prathibhamotorkdp@gmail.com
105	SREE LAKSHMI VENKATESWARA MOTORS	SURVEY NO.608, PLOT NO.1, PEDDAAMBEERPET, HAYATHNAGAR, RANGAREDDY DIST. - 501505	SOUTH	MR. SATYANARAYANA 9912444470 slv.motors09@gmail.com

AUTHORISED SERVICE CENTRE DETAILS

SR. NO.	ACS NAME	ADDRESS LINK	REGION	CONTACT PERSON
106	G R AIR BRAKE SYSTEMS	H NO.-4-77/C, CHANNA REDDY COMPLEX, MELLA CHERUVU ROAD, NEAR KHAMMAM X ROAD, KODADA TOWN - 508206	SOUTH	MR. GHALIB SAHEB 9000495777 grabskodad@gmail.com
107	SRI LAKSHMI VENKATESHWARA ENGINEERING WORK	D NO. 5-231/3, NH-44, NEAR JCB WORKSHOP, KURNOOL ROAD, JADCHERLA DIST, MAHABUBNAGAR - 509301.	SOUTH	MR. HARICHARAN REDDY 9490714557 8977714557 kondakindhari@gmail.com
108	TWIN CITIES AUTO GARRIAGE	FLAT NO.77, PRASHANTHI NAGARSHAKTHI PURAM, KUKATPALLY, HYDERABAD - 500072	SOUTH	MR. SAI RAJ 9989988566 sairaju.seelam@gmail.com
109	VISHAL MOTORS	NO. 5, 2ND MAIN NAYANDHALLI, SOUTH BLOCK, NEAR V.M.R.KALYAYANA MANTAP, BANGALORE - 560038	SOUTH	MR. VIJAYKUMAR 09845212138 09741155828 vishalmotors2014@gmail.com
110	SATTU MOTORS	INDIRA AUTO NAGER, STATION BACK ROAD, BIJAPURE - 586101	SOUTH	MR. VENKATESH 9980331003 sattumotors@gmail.com
111	MELGE MOTORS	SURVEY NO. 1059, BESIDE AEGIES AUTO GAS PUMP, NH-4, GANDHI NAGAR, BELGAUM - 590016	SOUTH	MR. TANAJI R. MELGE 9741262099 melge_motors@rediffmail.com
112	SREE VENKATESWARA BOOSTER WORKS	1/437, G. S. T. ROAD, OPP. VANDALUR RLY STN, VANDALUR, CHENNAI - 600048	SOUTH	MR. E. JAYASHANKAR 9841834777 9444314460 svbp4777@gmail.com
113	SRII BALAJI AUTOMOBILES	6/5, DURGA AUTOMOBILES COMPLEX, NAGERCOIL BYE PASS ROAD, TIRUNELVELI - 627005		V. S. SELVAKUMAR 9842164234 9894623494 sriibalajirasc@yahoo.com
114	HI TECH AUTO SERVICEZ	25, CINEMA NAGAR ROAD, NEAR NEW BUS STAND, SALEM - 636009	SOUTH	C. S. ELANGO VAN 9843127219 9042027219 hitech6789@rediffmail.com
115	SRII LAVANYA AUTOMOBILES	2/301E, SIPCOT BYE PASS ROAD, ARASAN DIESEL COMPLEX, MADATHUR POST, TUTICORIN - 628008	SOUTH	V. MANIKANDAN 9842164234 9894623494 sriibalajirasc@yahoo.com
116	SIVA SAI BRAKES	NO -31, OLD BYE PASS ROAD, VELLORE - 632004	SOUTH	M. THIRU 9025822280 skumaran111@yahoo.com
117	NEW UNIVERSAL AUTO MECH	NO-11, SANJEEVI NAGAR, 3RD EAST EXTENSION, OPP. ABT PARCEL SERVICE, TRICHI - 620002	SOUTH	MR. PALANISAMY 9944440045 universalautomech@gmail.com
118	SRI ENGINEERS	NO. 143-1, NAVA INDIA ROAD, NEAR AMBAL DRIVING SCHOOL, PEELAMEDU, COIMBATORE - 641004	SOUTH	MR. RAMESH 9047319887 sriengineerscbe@gmail.com
119	SALIMATH ENGINEERING	SALIMATH BUILDING, NO.19. PADMA HOUSING SOCIETY, OPP. KIRLOSKAR ELECTRIC COMPANY, AIRPORT ROAD, HUBLI - 580030	SOUTH	MR. GURU SALIMATH 9448113807 gurusalimath@yahoo.com
120	A.L MOTORS	SHOP NO. 20, SIR M. V LORRY TERMUNAL, BESIDE NEW KSRTC BUS STAND, BALLARI - 583101	SOUTH	MR. SULTAN KHAN 9591309729 / 9740117545 almotors01@Yahoo.in
121	METRO ENGINEERING	ATHANI JUNCTION, KUSUMAGIRI POST-KAKKANAD KOCHI, KERALA - 682030	SOUTH	MR. ASHIM KHAN 8589034677 ashimkhan426@gmail.com
122	Bhurke Automobiles	SHOP NO.3, GOLDEN INNOX, VAKHAR BAUG, SANGLI - 416 416.	WEST	MR. ABHIJEET BHURKE 9372944055 bhurkeauto2001@gmail.com